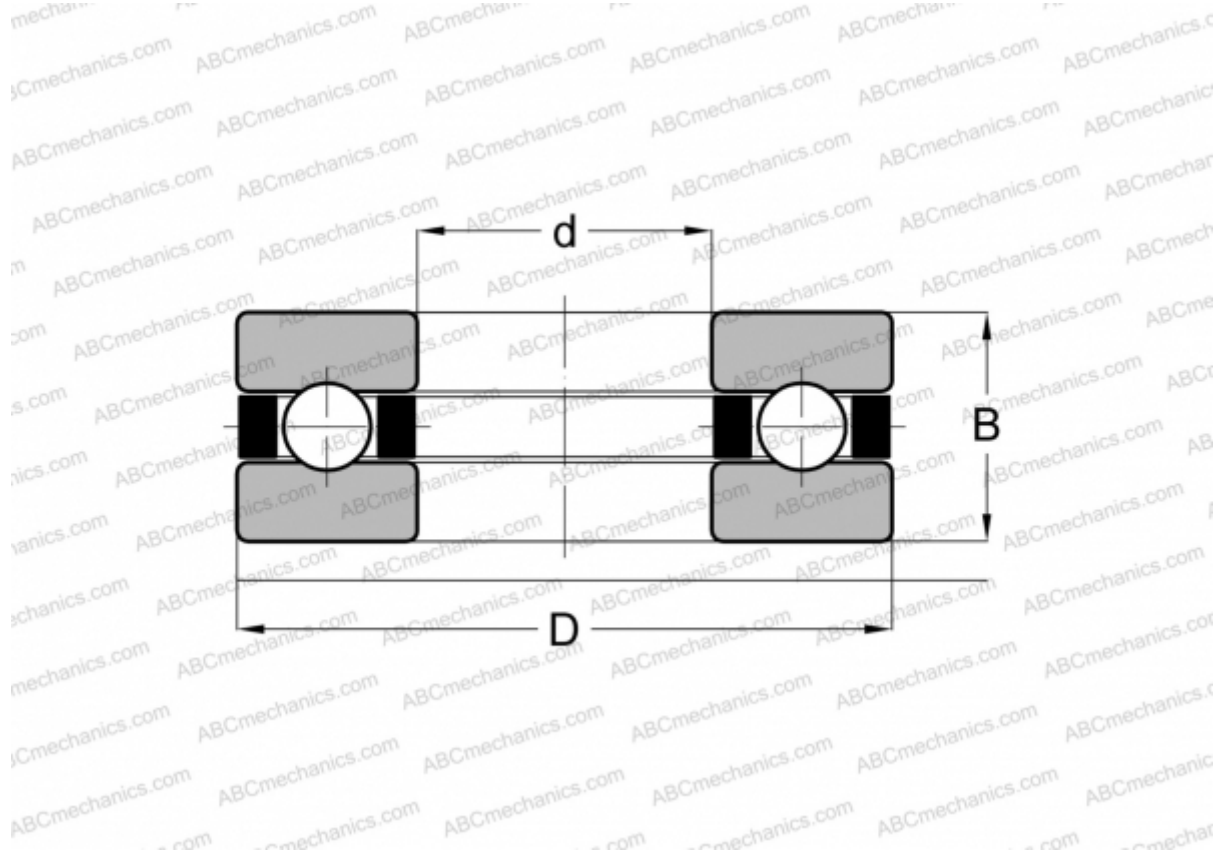


3TAM8 NACHI

Thrust ball bearings

TYPE: Ball bearings, Thrust ball bearing, Single direction, Separable, miniature



Technical specification

DIMENSIONS, MM

d	3,000
D	8,000
B	3,500

WEIGHT, KG 0,001

MANUFACTURER [NACHI](#)

INTERCHANGE

ABC	F3-8M
ADR	B3
RMB	B308