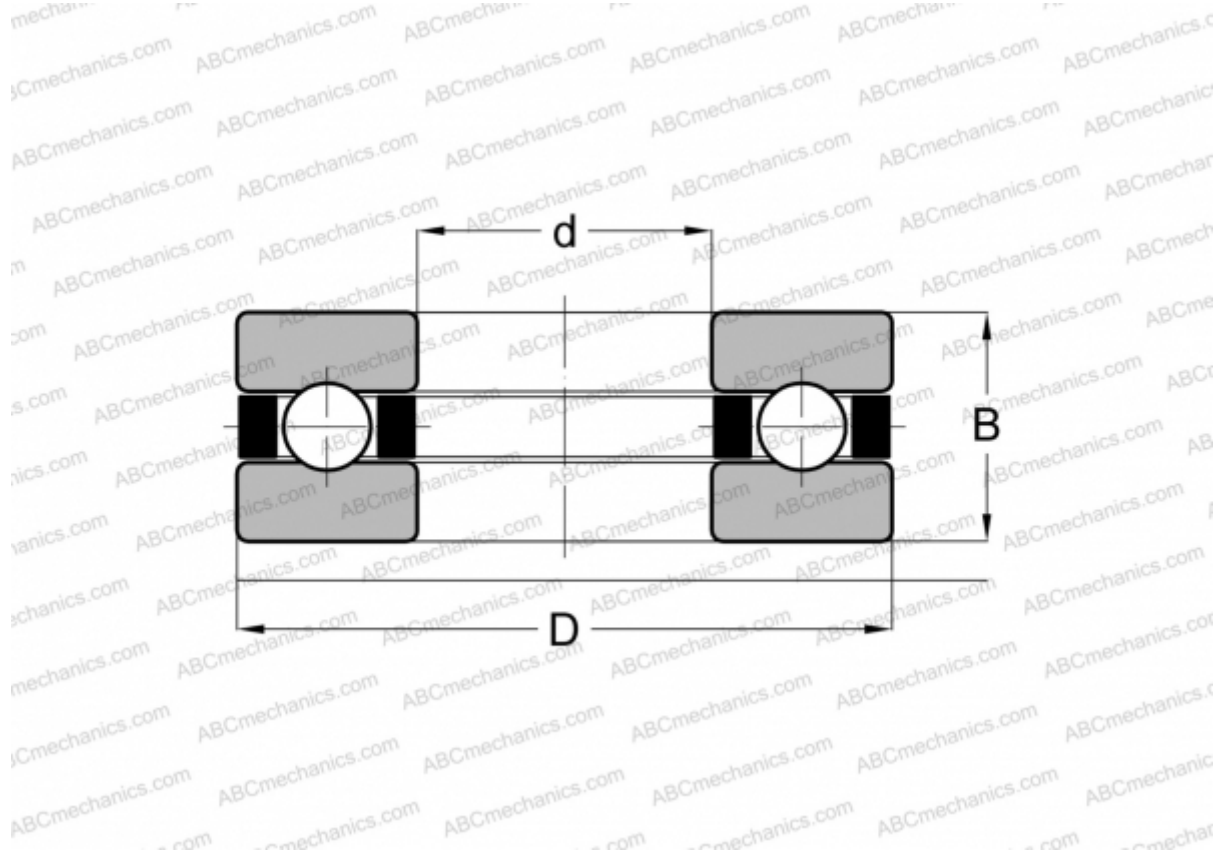


F4-10M ABC

Thrust ball bearings

TYPE: Ball bearings, Thrust ball bearing, Single direction, Separable, miniature



Technical specification

DIMENSIONS, MM

d	4,000
D	10,000
B	4,000

WEIGHT, KG 0,001

MANUFACTURER [ABC](#)

INTERCHANGE

ADR	B4
NACHI	5TAM10
RMB	B410