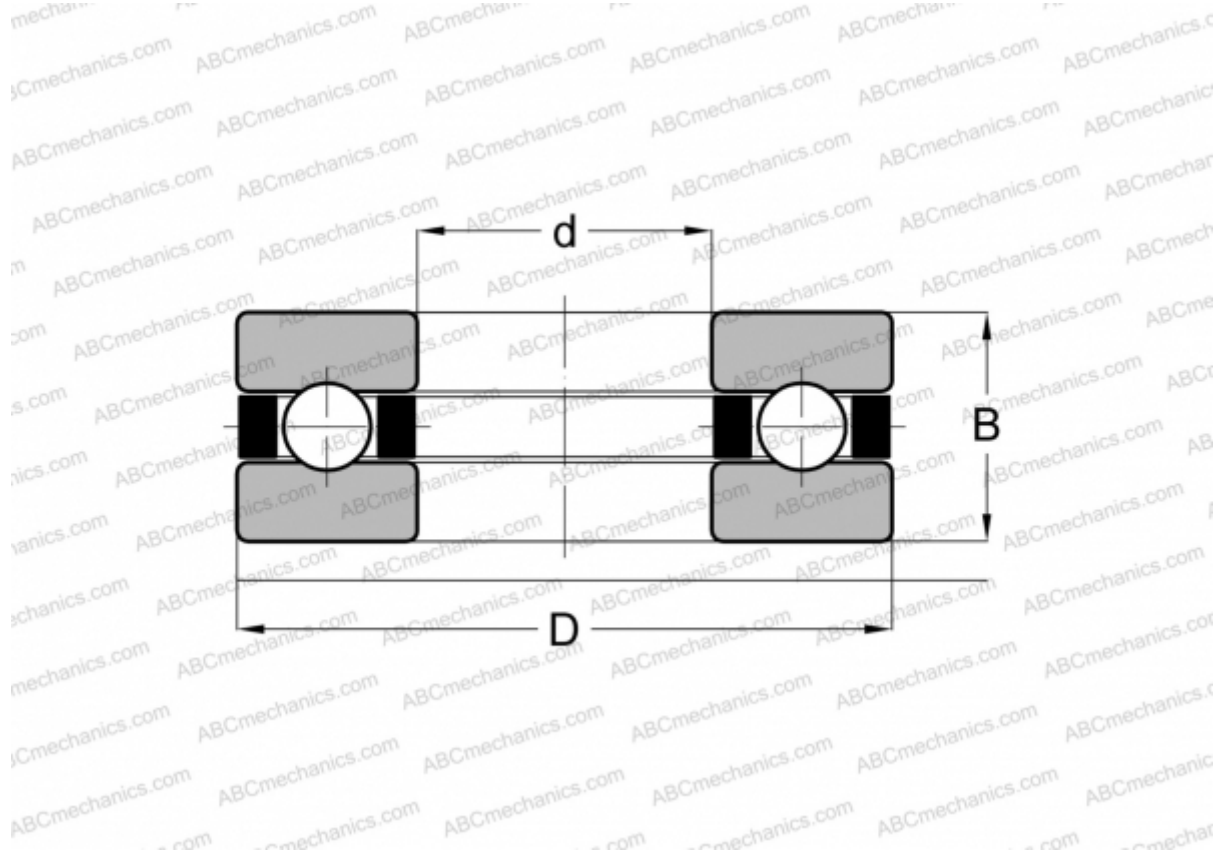


F6-12M ABC

Thrust ball bearings

TYPE: Ball bearings, Thrust ball bearing, Single direction, Separable, miniature



Technical specification

DIMENSIONS, MM

d	6,000
D	12,000
B	4,500

WEIGHT, KG 0,002

MANUFACTURER [ABC](#)

INTERCHANGE

NACHI [6TAM12](#)