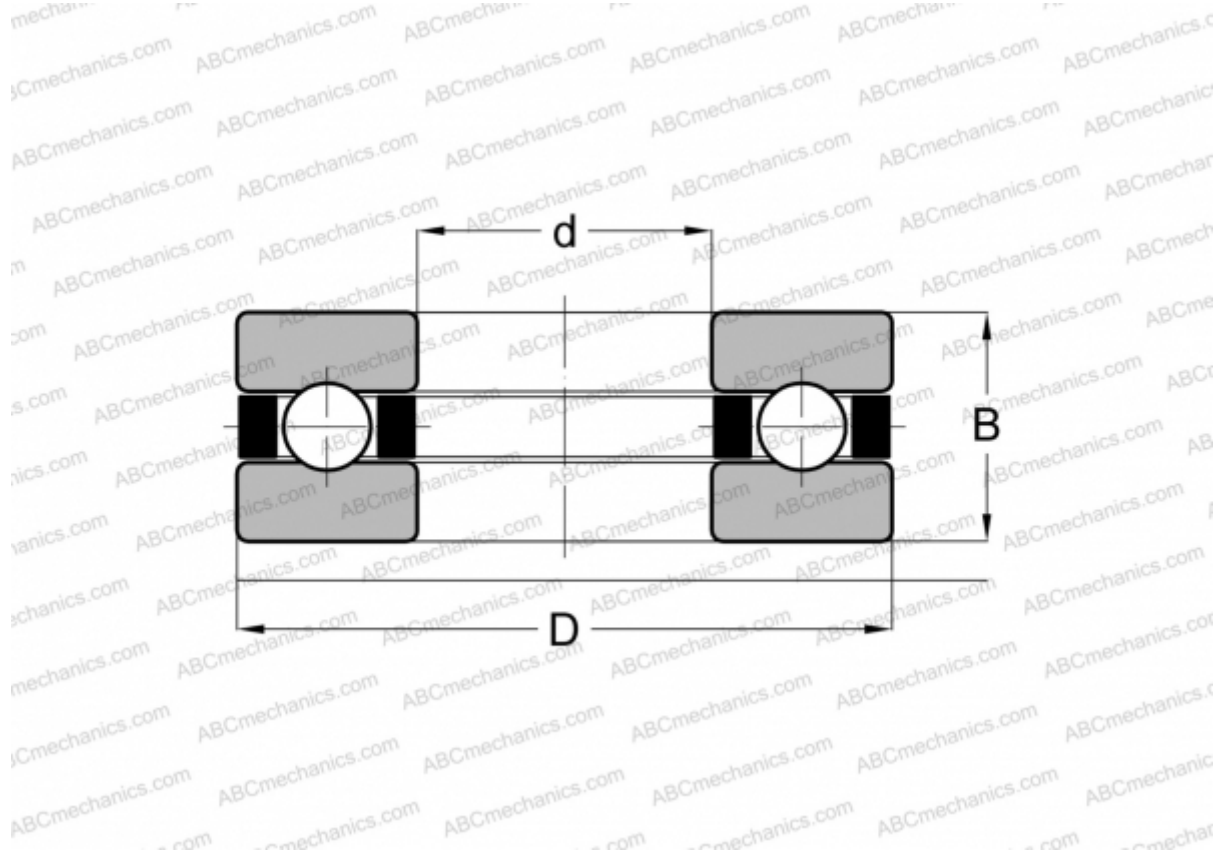


## 6TAM12 NACHI

Thrust ball bearings

TYPE: Ball bearings, Thrust ball bearing, Single direction, Separable, miniature



### Technical specification

#### DIMENSIONS, MM

d	6,000
D	12,000
B	4,500

**WEIGHT, KG** 0,002

**MANUFACTURER** [NACHI](#)

#### INTERCHANGE

ABC	<a href="#">F6-12M</a>
-----	------------------------