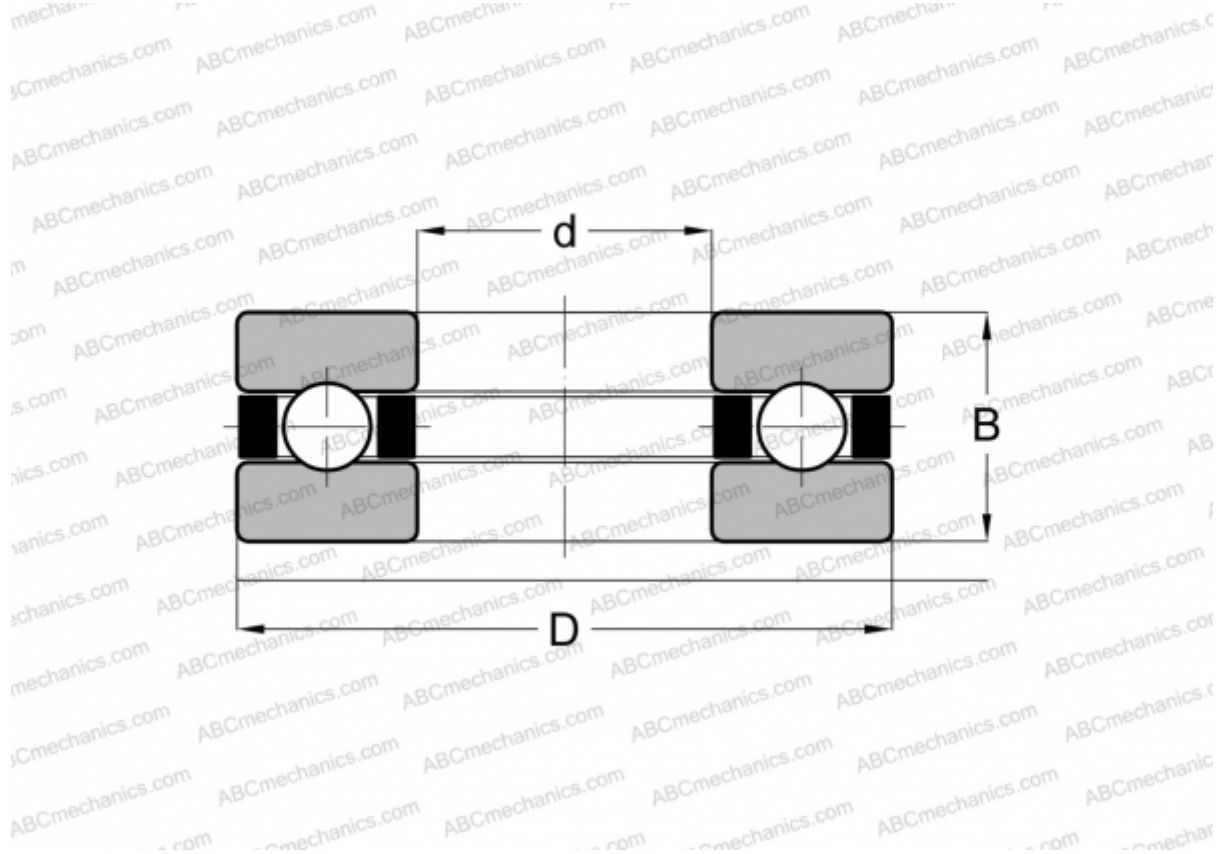


B6 ADR

Thrust ball bearings

TYPE: Ball bearings, Thrust ball bearing, Single direction, Separable, miniature



Technical specification

DIMENSIONS, MM

d	6,000
D	14,000
B	5,000

WEIGHT, KG 0,004

MANUFACTURER [ADR](#)

INTERCHANGE

ABC	F6-14M
RMB	B614