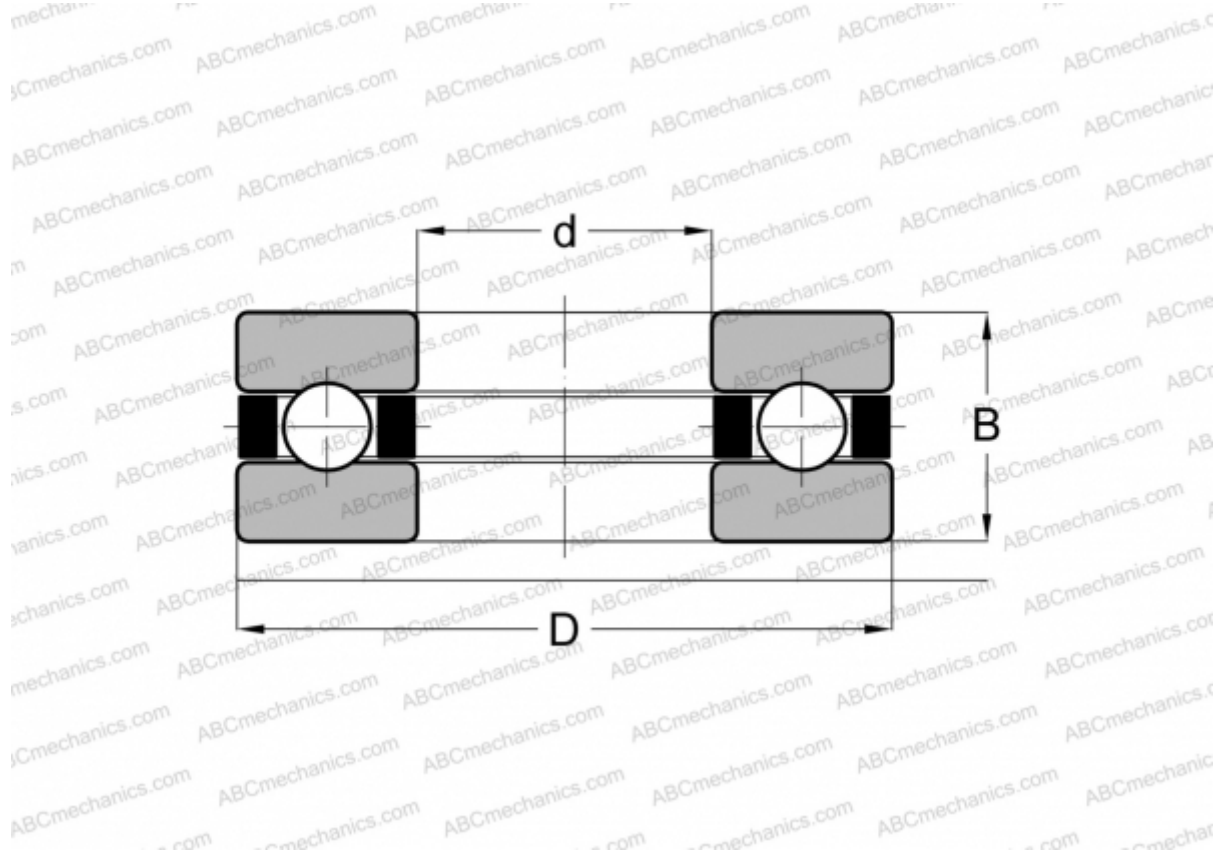


B614 RMB

Thrust ball bearings

TYPE: Ball bearings, Thrust ball bearing, Single direction, Separable, miniature



Technical specification

DIMENSIONS, MM

| | |
|---|--------|
| d | 6,000 |
| D | 14,000 |
| B | 5,000 |

WEIGHT, KG 0,004

MANUFACTURER [RMB](#)

INTERCHANGE

| | |
|-----|------------------------|
| ABC | F6-14M |
| ADR | B6 |