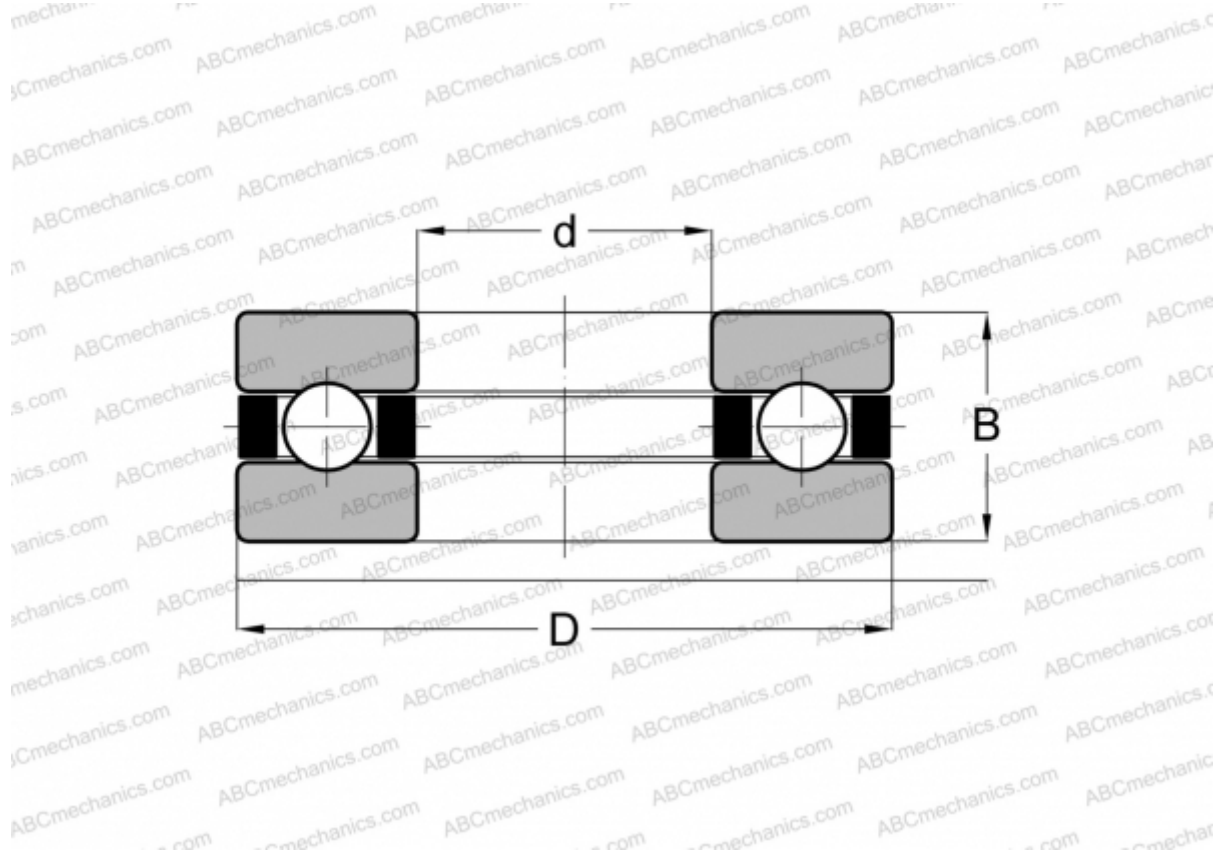


8TAM16 NACHI

Thrust ball bearings

TYPE: Ball bearings, Thrust ball bearing, Single direction, Separable, miniature



Technical specification

DIMENSIONS, MM

d	8,000
D	16,000
B	5,000

WEIGHT, KG 0,004

MANUFACTURER [NACHI](#)

INTERCHANGE

ABC	F8-16M
-----	------------------------