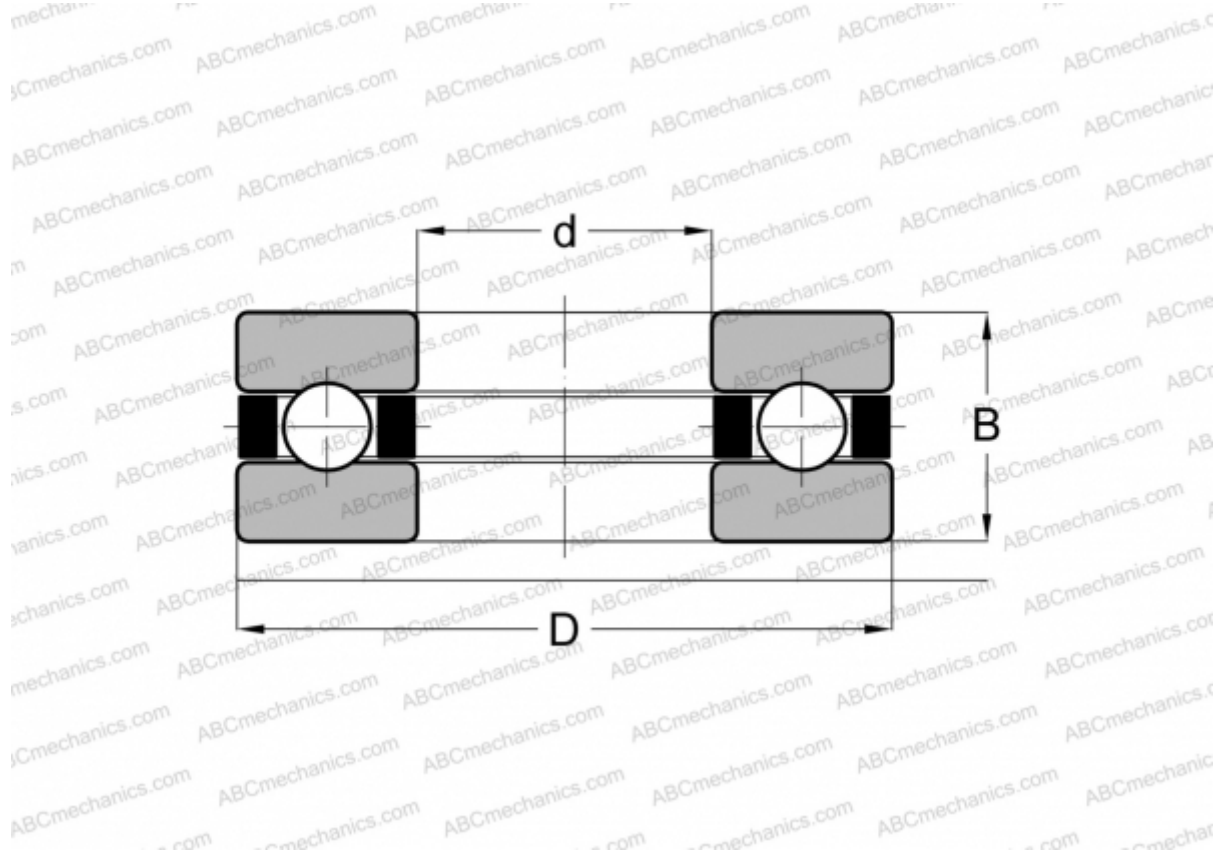


F9-20M ABC

Thrust ball bearings

TYPE: Ball bearings, Thrust ball bearing, Single direction, Separable, miniature



Technical specification

DIMENSIONS, MM

d	9,000
D	20,000
B	7,000

WEIGHT, KG 0,010

MANUFACTURER [ABC](#)

INTERCHANGE

ADR	B9
RMB	B920