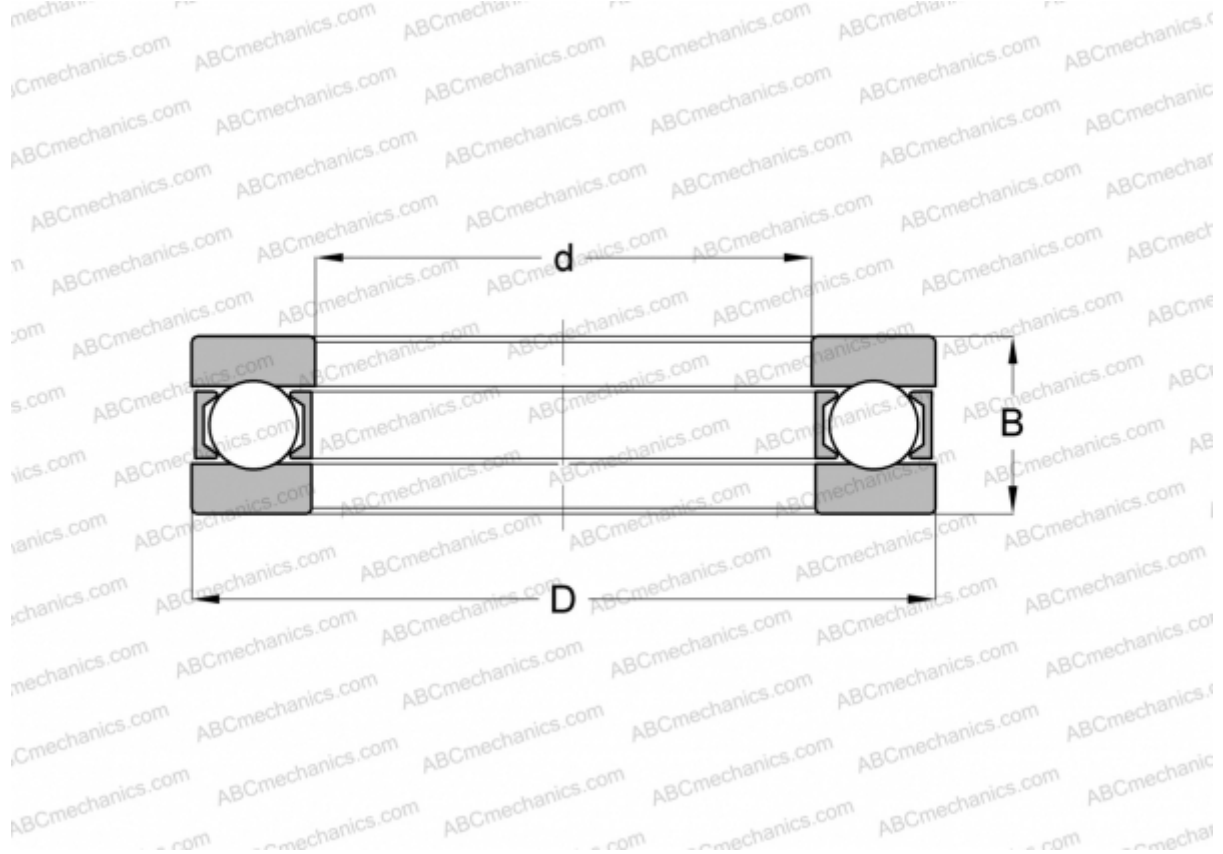


XLM 10 HOFFMANN

Thrust ball bearings

TYPE: Ball bearings, Thrust ball bearing, Single direction, Separable, series 9/10/29/39



Technical specification

DIMENSIONS, MM

d	10,000
D	26,000
D1	10,200
D2	26,000
B	12,000

WEIGHT, KG 0,032

MANUFACTURER [HOFFMANN](#)

INTERCHANGE

INA	2900
MRC	2900
SKF	2900