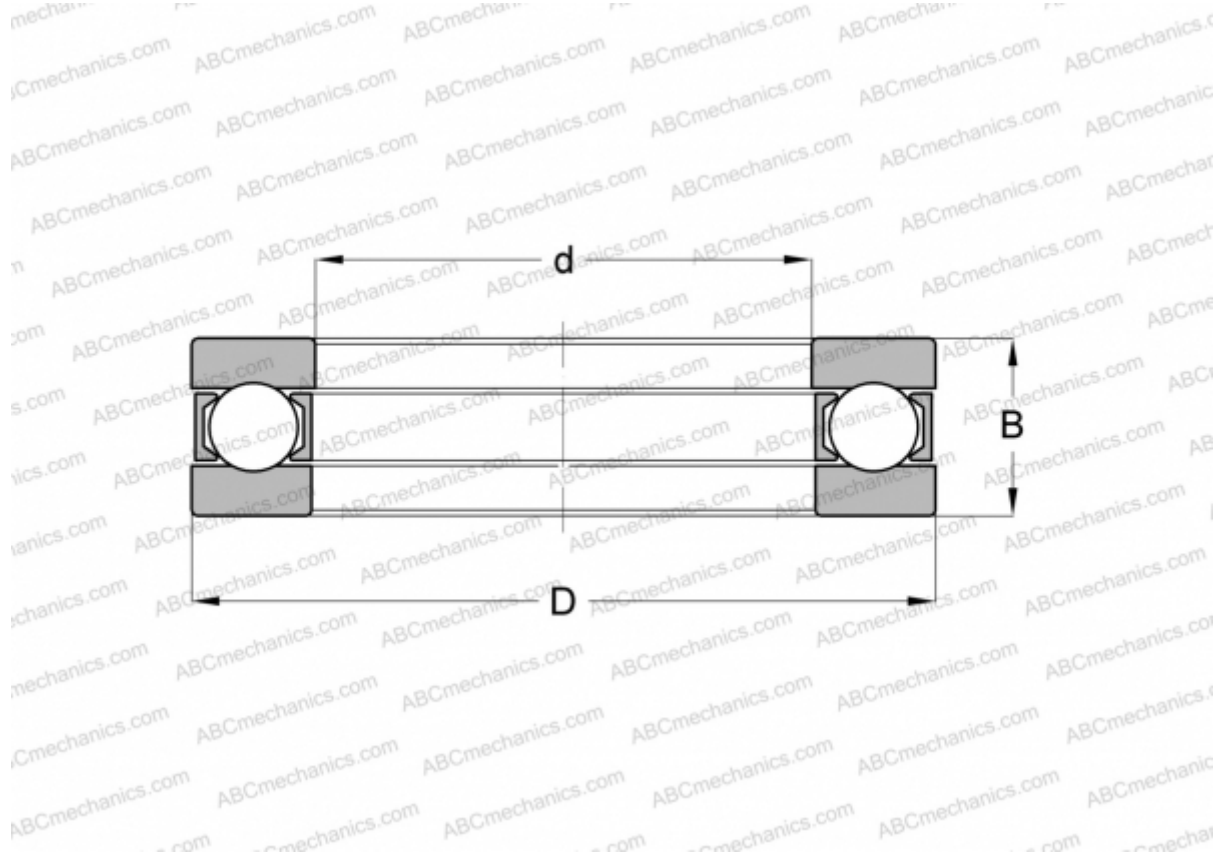


## 2902 INA

Thrust ball bearings

TYPE: Ball bearings, Thrust ball bearing, Single direction, Separable, series 9/10/29/39



### Technical specification

#### DIMENSIONS, MM

d	15,000
D	31,000
D1	15,200
D2	31,000
B	12,000

**WEIGHT, KG** 0,045

**MANUFACTURER** [INA](#)

#### INTERCHANGE

MRC	<a href="#">2902</a>
HOFFMANN	<a href="#">XLM 15</a>
SKF	<a href="#">2902</a>