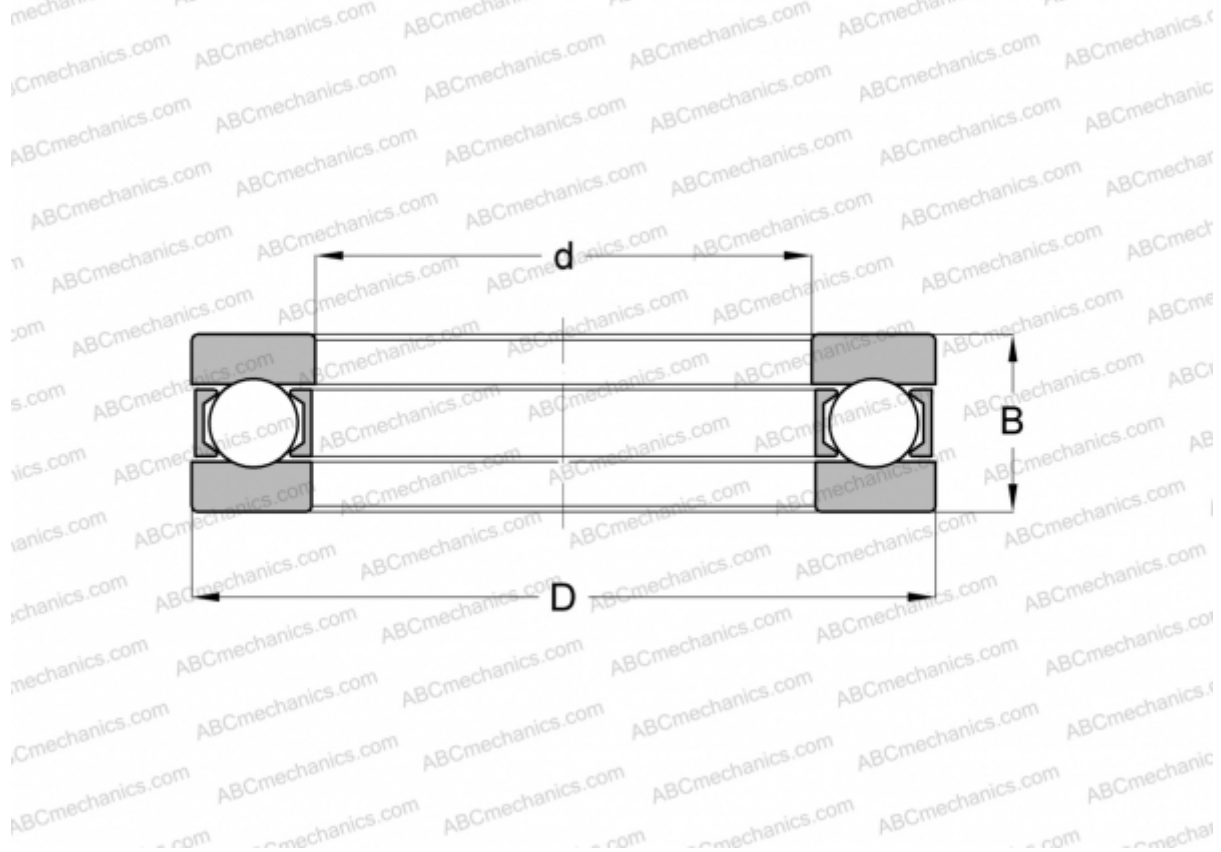


XLM 15 HOFFMANN

Thrust ball bearings

TYPE: Ball bearings, Thrust ball bearing, Single direction, Separable, series 9/10/29/39



Technical specification

DIMENSIONS, MM

| | |
|----|--------|
| d | 15,000 |
| D | 31,000 |
| D1 | 15,200 |
| D2 | 31,000 |
| B | 12,000 |

WEIGHT, KG 0,045

MANUFACTURER [HOFFMANN](#)

INTERCHANGE

| | |
|-----|----------------------|
| INA | 2902 |
| MRC | 2902 |
| SKF | 2902 |