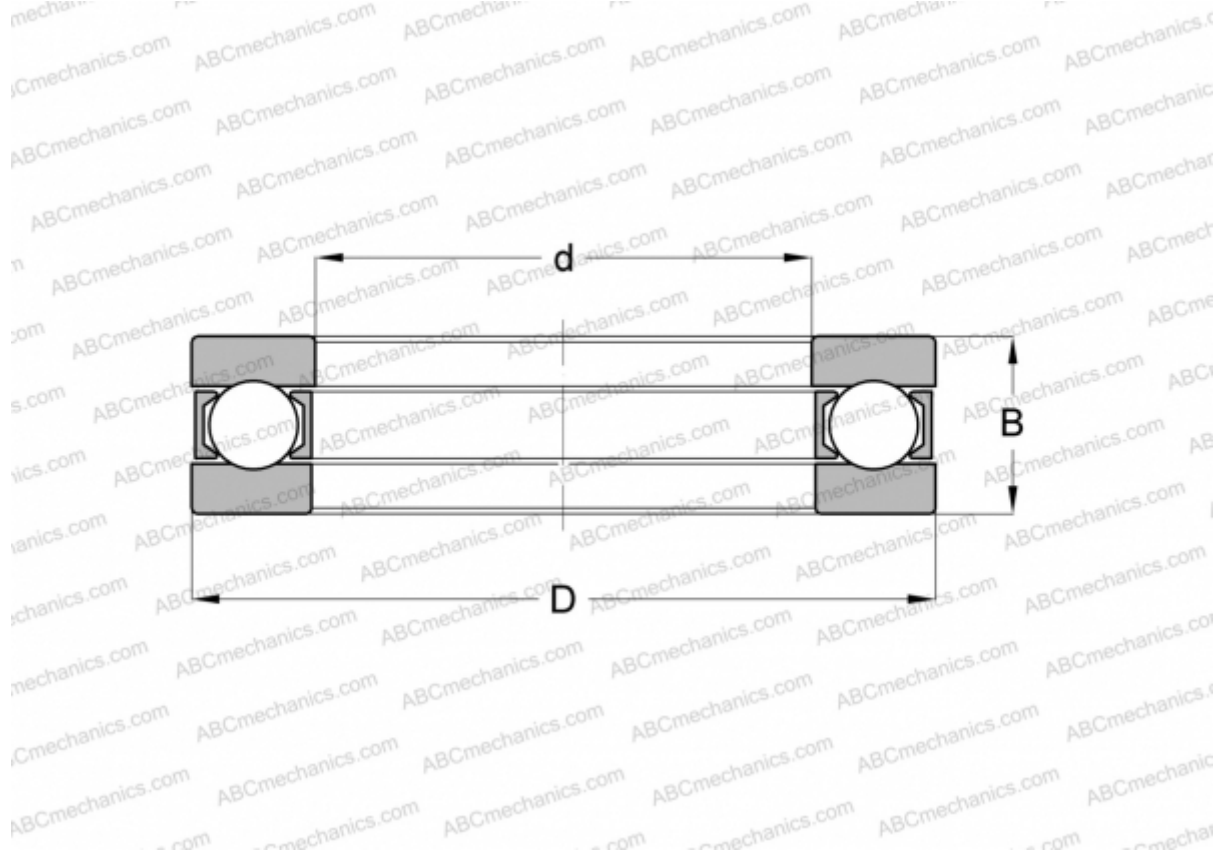


2902 SKF

Thrust ball bearings

TYPE: Ball bearings, Thrust ball bearing, Single direction, Separable, series 9/10/29/39



Technical specification

DIMENSIONS, MM

d	15,000
D	31,000
D1	15,200
D2	31,000
B	12,000

WEIGHT, KG 0,045

MANUFACTURER [SKF](#)

INTERCHANGE

INA	2902
MRC	2902
HOFFMANN	XLM 15