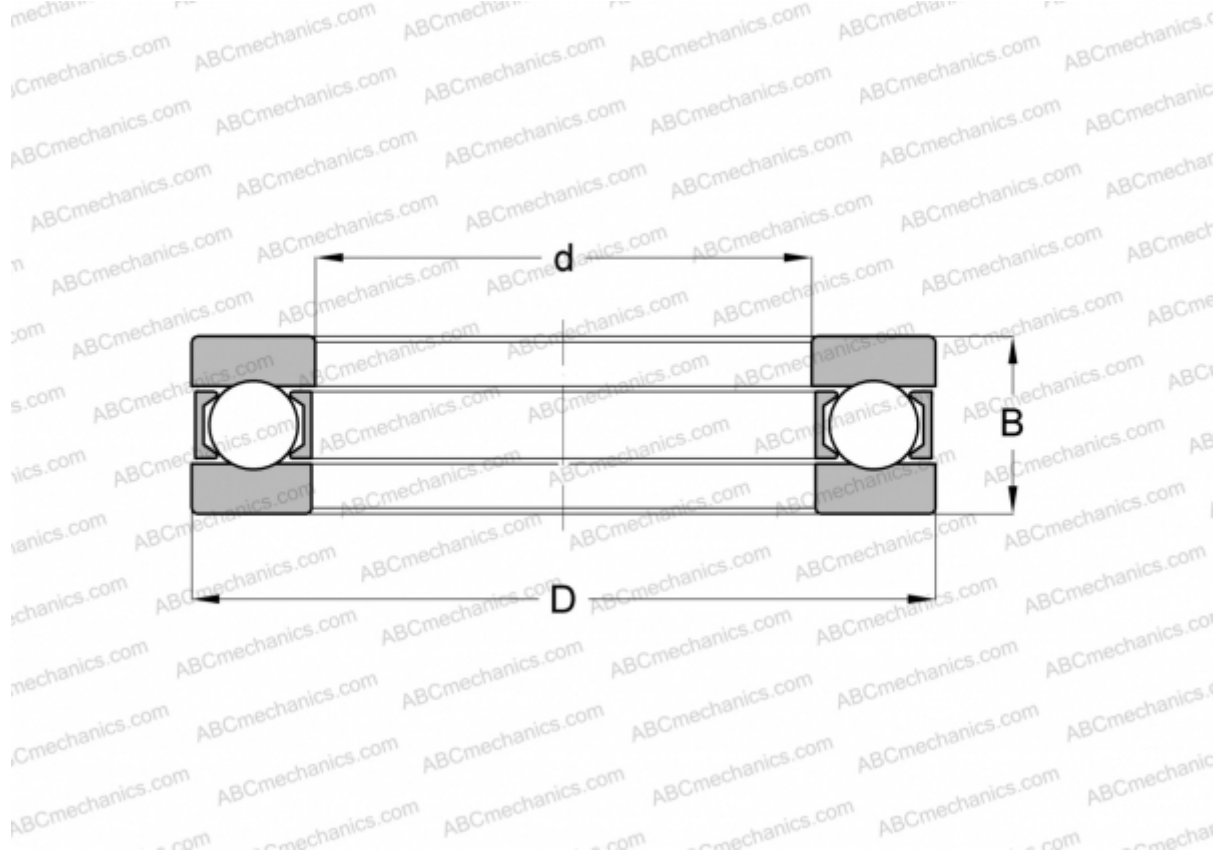


2903 MRC

Thrust ball bearings

TYPE: Ball bearings, Thrust ball bearing, Single direction, Separable, series 9/10/29/39



Technical specification

DIMENSIONS, MM

d	18,000
D	35,000
D1	18,200
D2	35,000
B	12,000

WEIGHT, KG 0,059

MANUFACTURER [MRC](#)

INTERCHANGE

INA	2903
HOFFMANN	XLM 18
SKF	2903