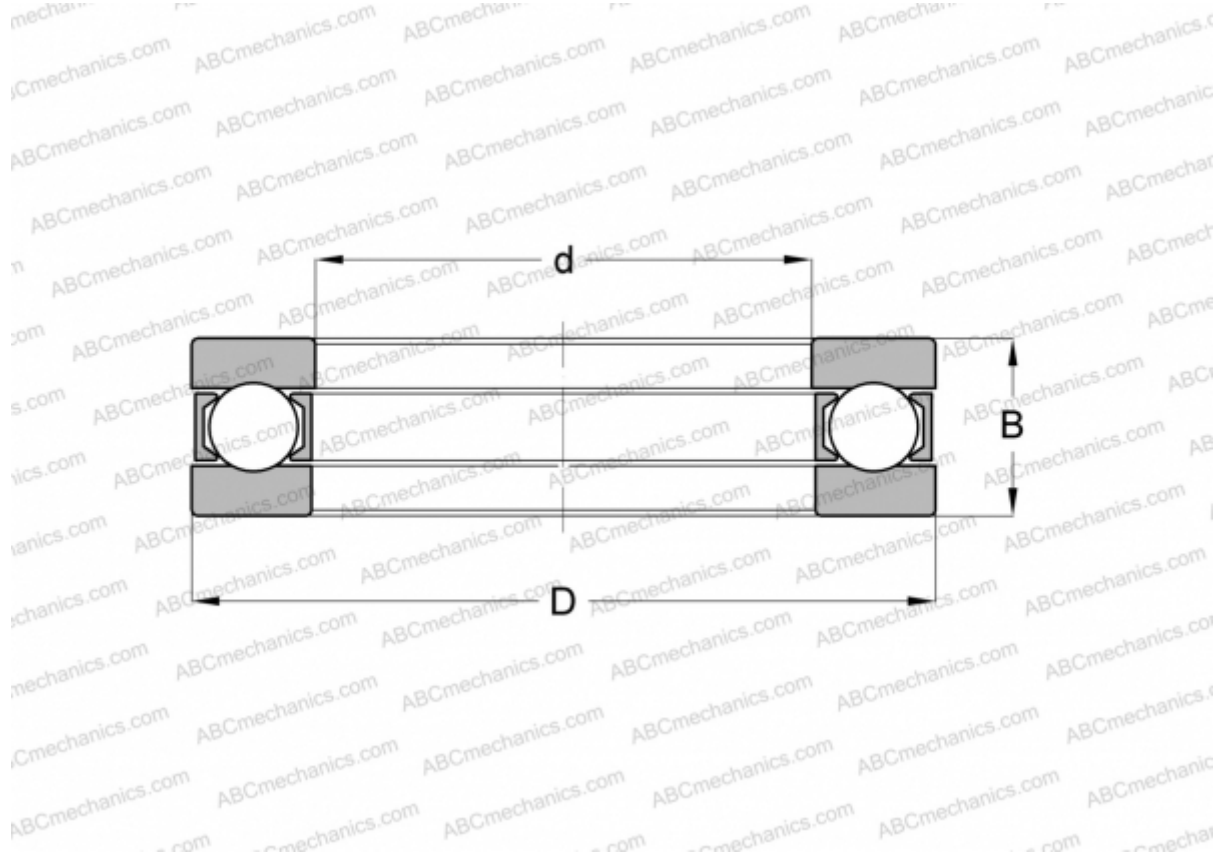


2903 SKF

Thrust ball bearings

TYPE: Ball bearings, Thrust ball bearing, Single direction, Separable, series 9/10/29/39



Technical specification

DIMENSIONS, MM

| | |
|----|--------|
| d | 18,000 |
| D | 35,000 |
| D1 | 18,200 |
| D2 | 35,000 |
| B | 12,000 |

WEIGHT, KG 0,059

MANUFACTURER [SKF](#)

INTERCHANGE

| | |
|----------|------------------------|
| INA | 2903 |
| MRC | 2903 |
| HOFFMANN | XLM 18 |