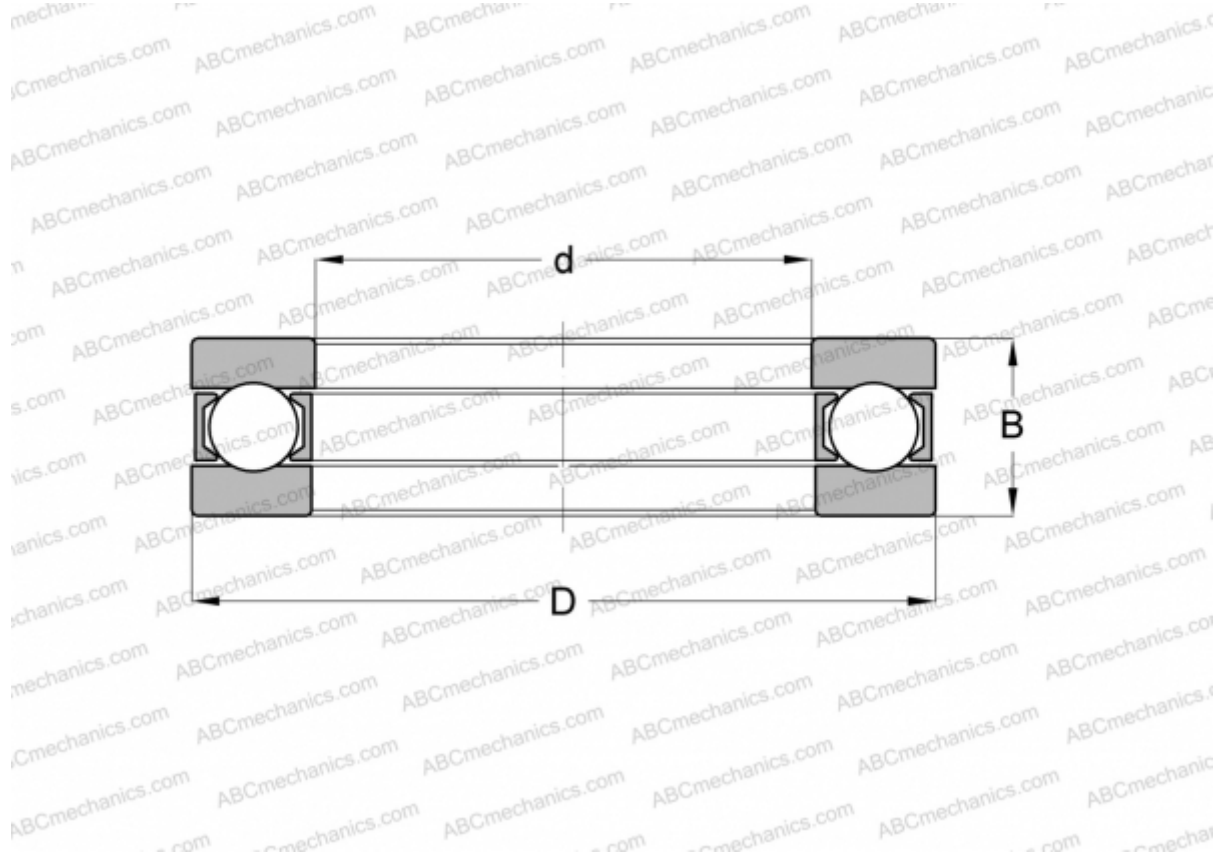


## 2904 1/2 INA

Thrust ball bearings

TYPE: Ball bearings, Thrust ball bearing, Single direction, Separable, series 9/10/29/39



### Technical specification

#### DIMENSIONS, MM

d	22,000
D	42,000
D1	22,200
D2	42,000
B	14,000

**WEIGHT, KG** 0,086

**MANUFACTURER** [INA](#)

#### INTERCHANGE

MRC	<a href="#">2904 1/2</a>
HOFFMANN	<a href="#">XLM 22</a>
SKF	<a href="#">2904 1/2</a>