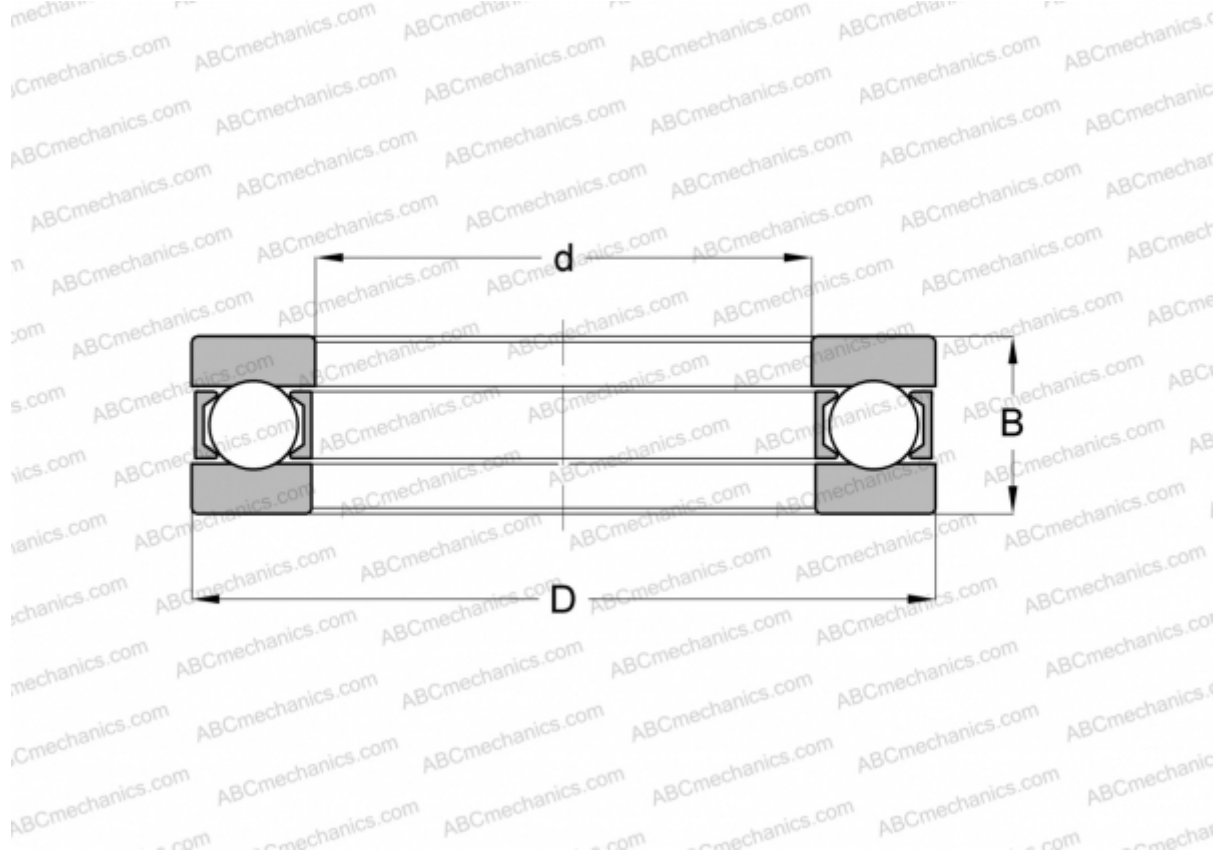


## 2915 INA

Thrust ball bearings

TYPE: Ball bearings, Thrust ball bearing, Single direction, Separable, series 9/10/29/39



### Technical specification

#### DIMENSIONS, MM

d	75,000
D	100,000
D1	75,200
D2	100,000
B	20,000

**WEIGHT, KG** 0,426

**MANUFACTURER** [INA](#)

#### INTERCHANGE

MRC	<a href="#">2915</a>
SKF	<a href="#">2915</a>