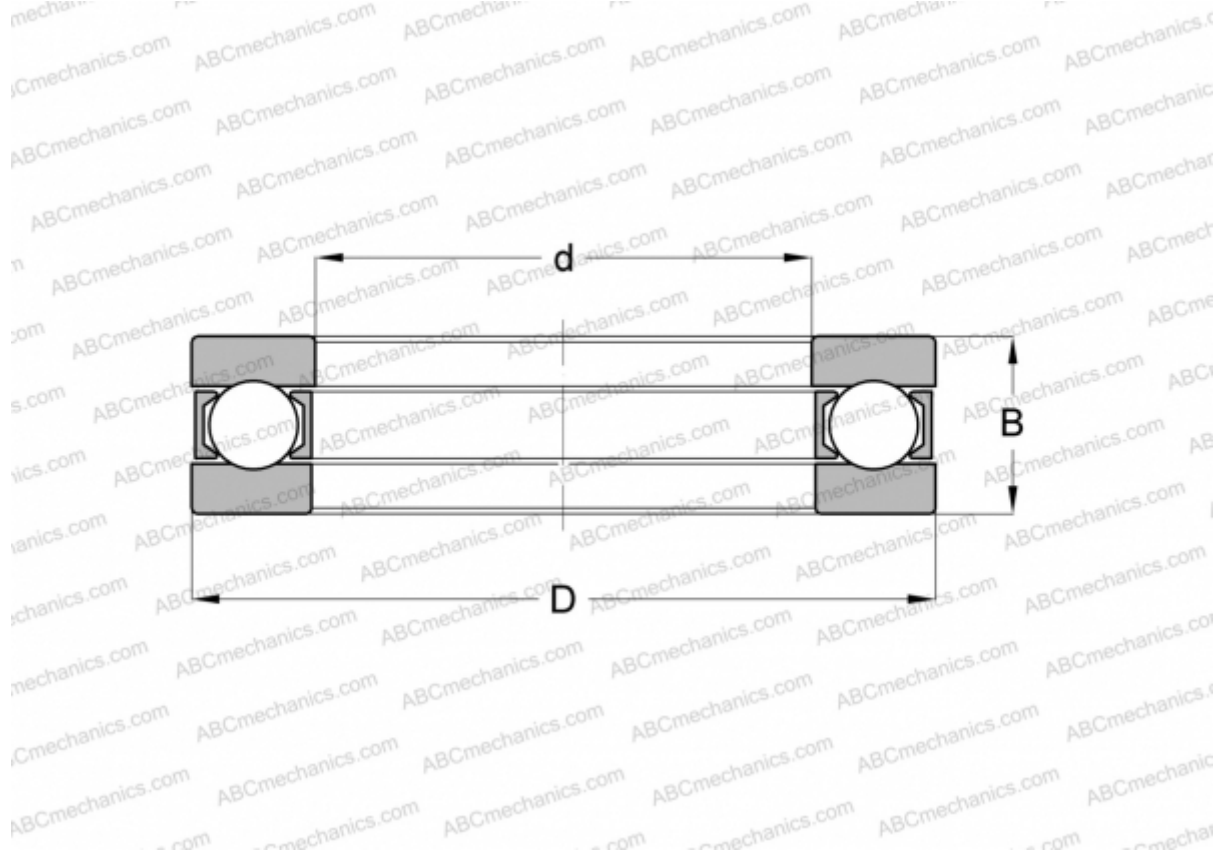


2922 MRC

Thrust ball bearings

TYPE: Ball bearings, Thrust ball bearing, Single direction, Separable, series 9/10/29/39



Technical specification

DIMENSIONS, MM

d	110,000
D	145,000
D1	110,200
D2	145,000
B	25,000

WEIGHT, KG 1,039

MANUFACTURER [MRC](#)

INTERCHANGE

INA	2922
SKF	2922