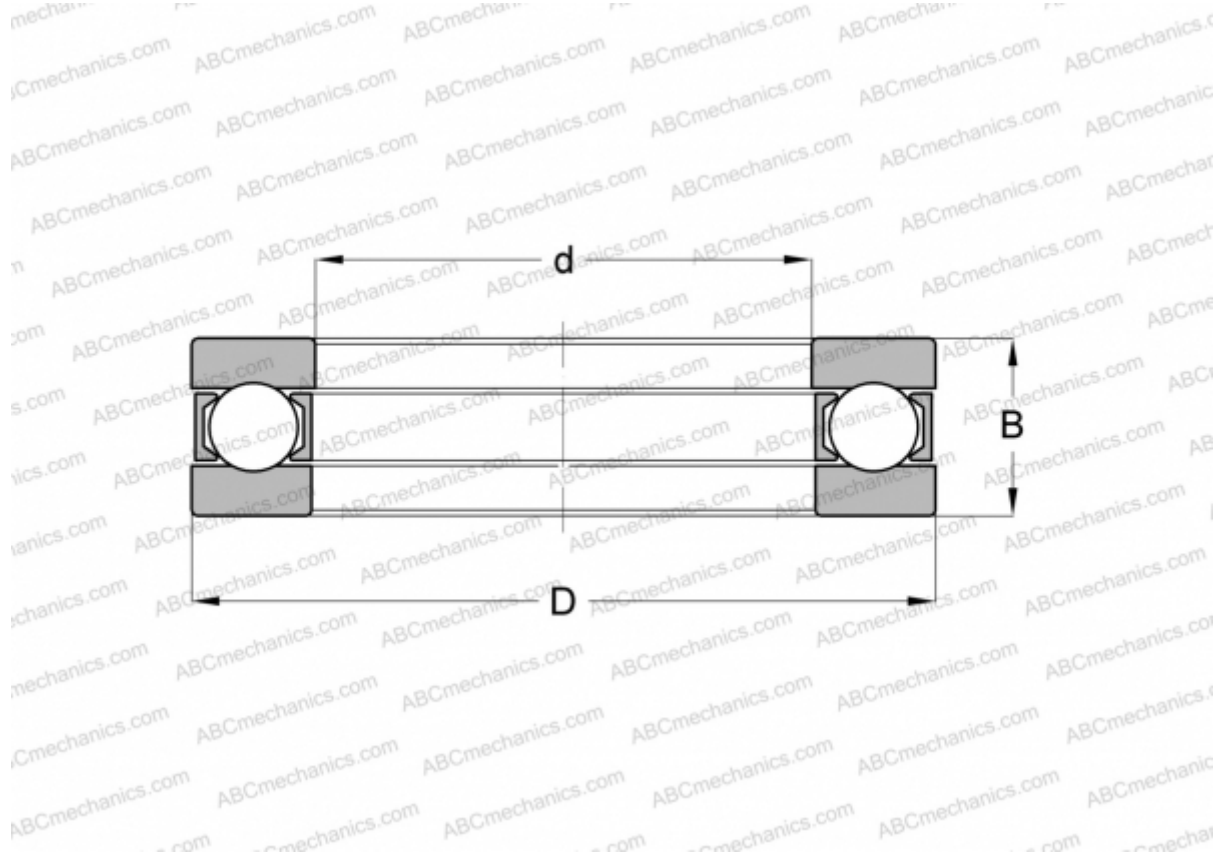


2922 SKF

Thrust ball bearings

TYPE: Ball bearings, Thrust ball bearing, Single direction, Separable, series 9/10/29/39



Technical specification

DIMENSIONS, MM

| | |
|----|---------|
| d | 110,000 |
| D | 145,000 |
| D1 | 110,200 |
| D2 | 145,000 |
| B | 25,000 |

WEIGHT, KG 1,039

MANUFACTURER [SKF](#)

INTERCHANGE

| | |
|-----|----------------------|
| INA | 2922 |
| MRC | 2922 |