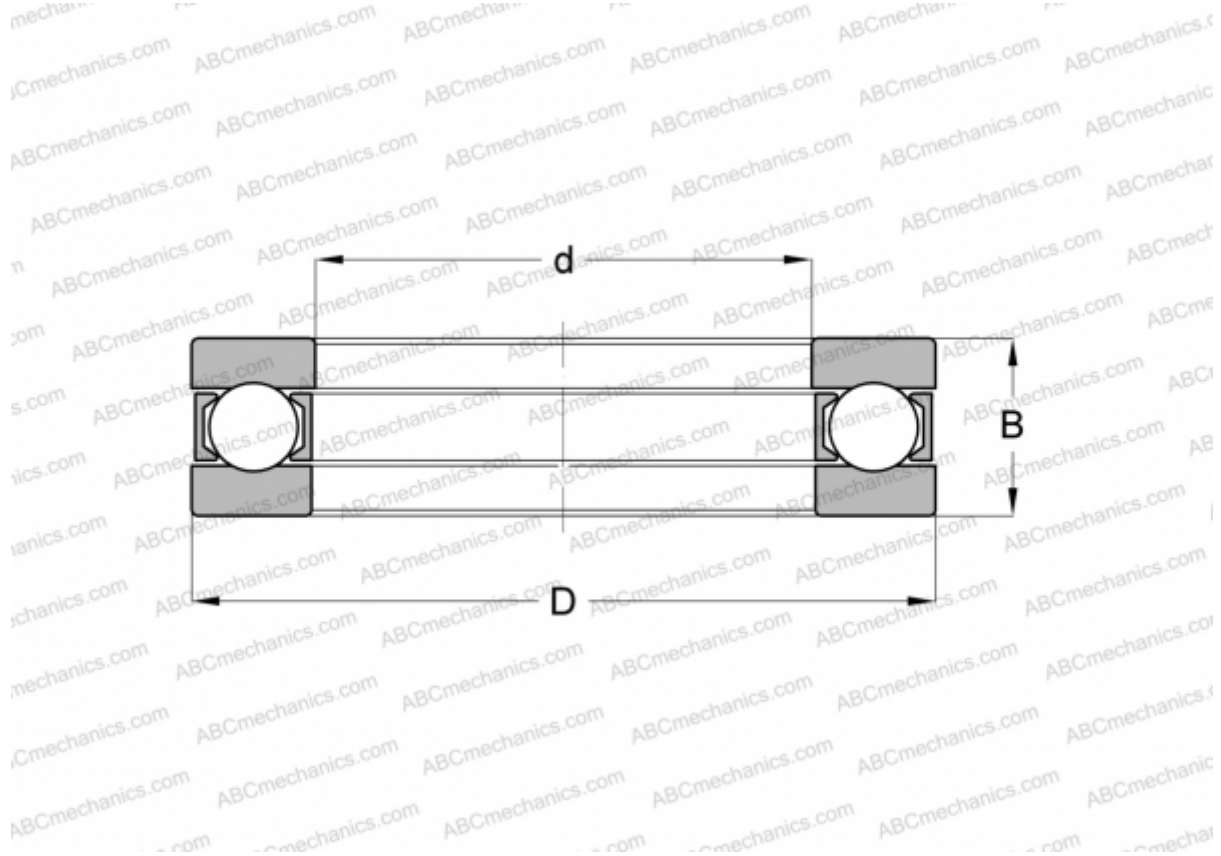


2923 INA

Thrust ball bearings

TYPE: Ball bearings, Thrust ball bearing, Single direction, Separable, series 9/10/29/39



Technical specification

DIMENSIONS, MM

d	115,000
D	150,000
D1	115,200
D2	150,000
B	25,000

WEIGHT, KG 1,193

MANUFACTURER [INA](#)

INTERCHANGE

MRC	2923
SKF	2923