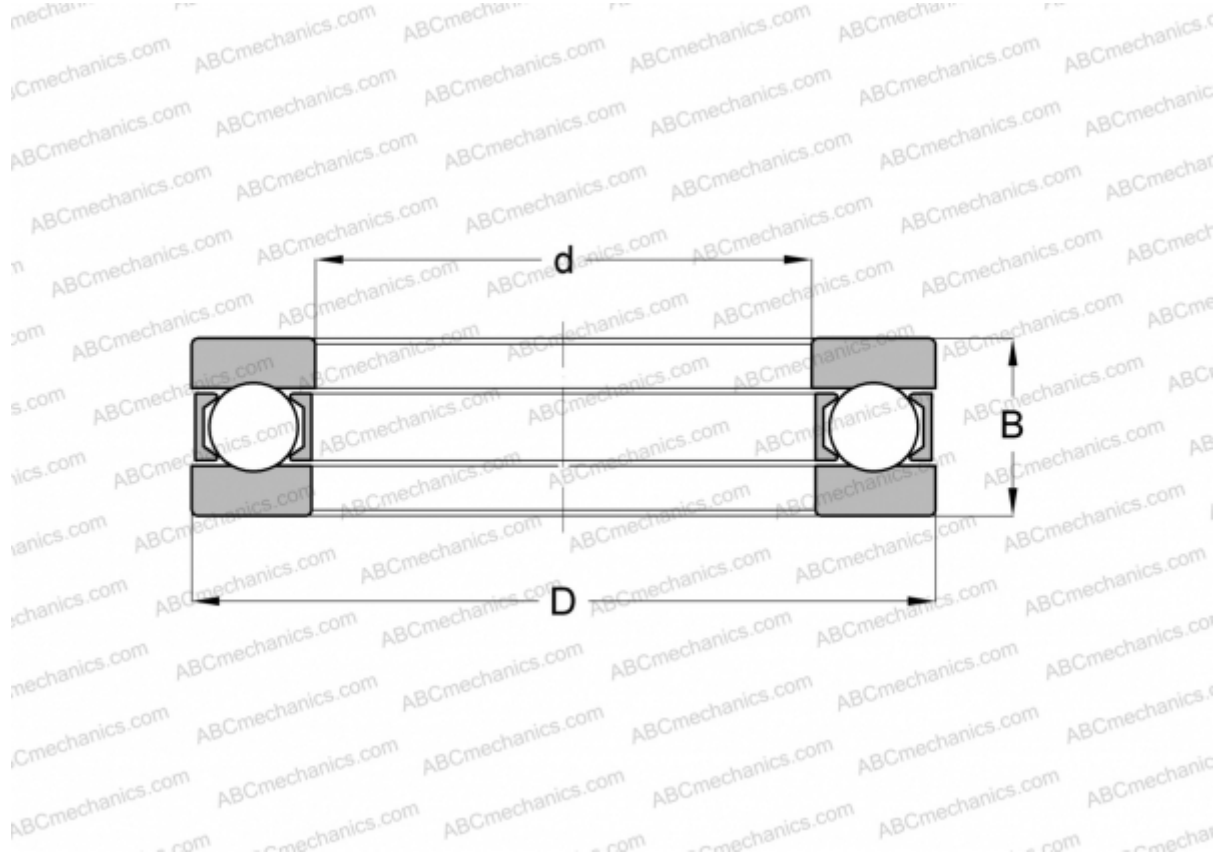


2924 SKF

Thrust ball bearings

TYPE: Ball bearings, Thrust ball bearing, Single direction, Separable, series 9/10/29/39



Technical specification

DIMENSIONS, MM

d	120,000
D	160,000
D1	120,200
D2	160,000
B	27,000

WEIGHT, KG 1,551

MANUFACTURER [SKF](#)

INTERCHANGE

INA	2924
MRC	2924