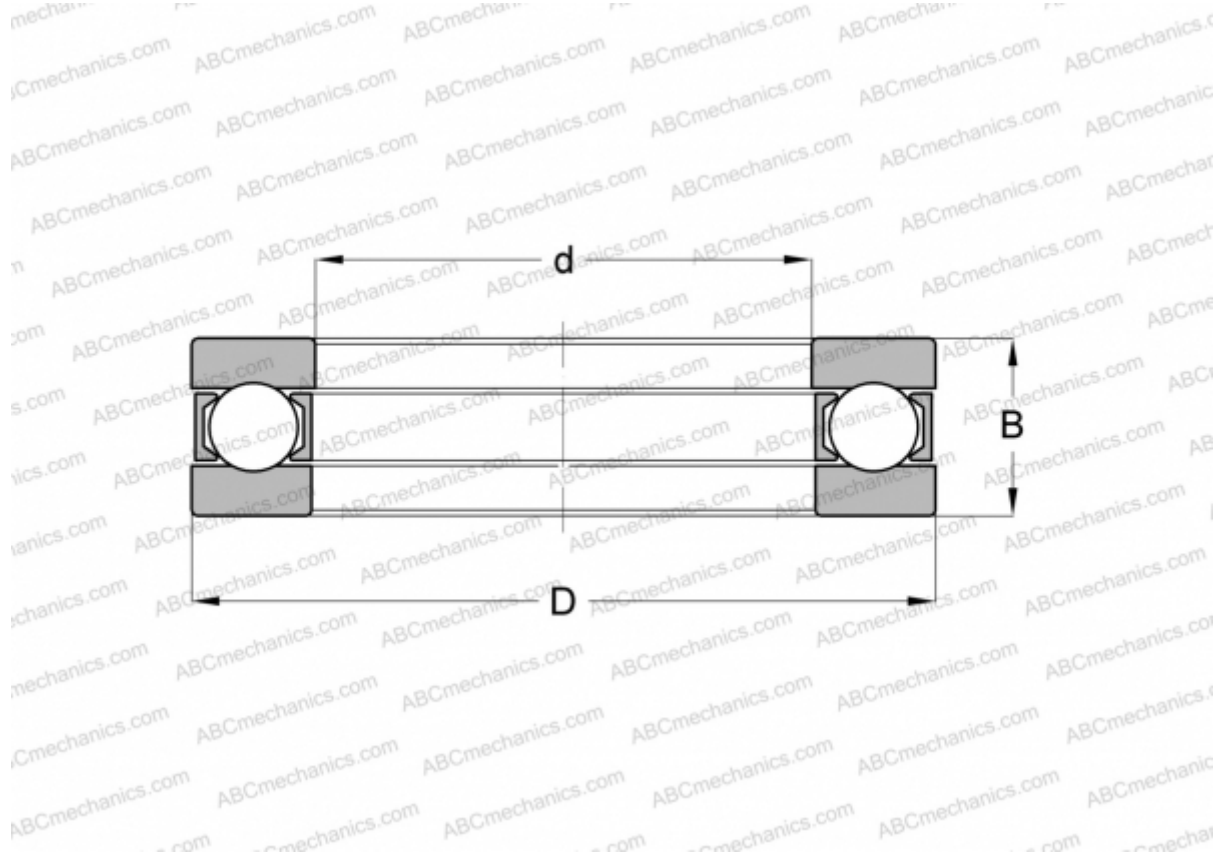


3910 SKF

Thrust ball bearings

TYPE: Ball bearings, Thrust ball bearing, Single direction, Separable, series 9/10/29/39



Technical specification

DIMENSIONS, MM

d	50,000
D	92,000
D1	50,200
D2	92,000
B	31,000

WEIGHT, KG 0,984

MANUFACTURER [SKF](#)

INTERCHANGE

INA	3910
-----	----------------------