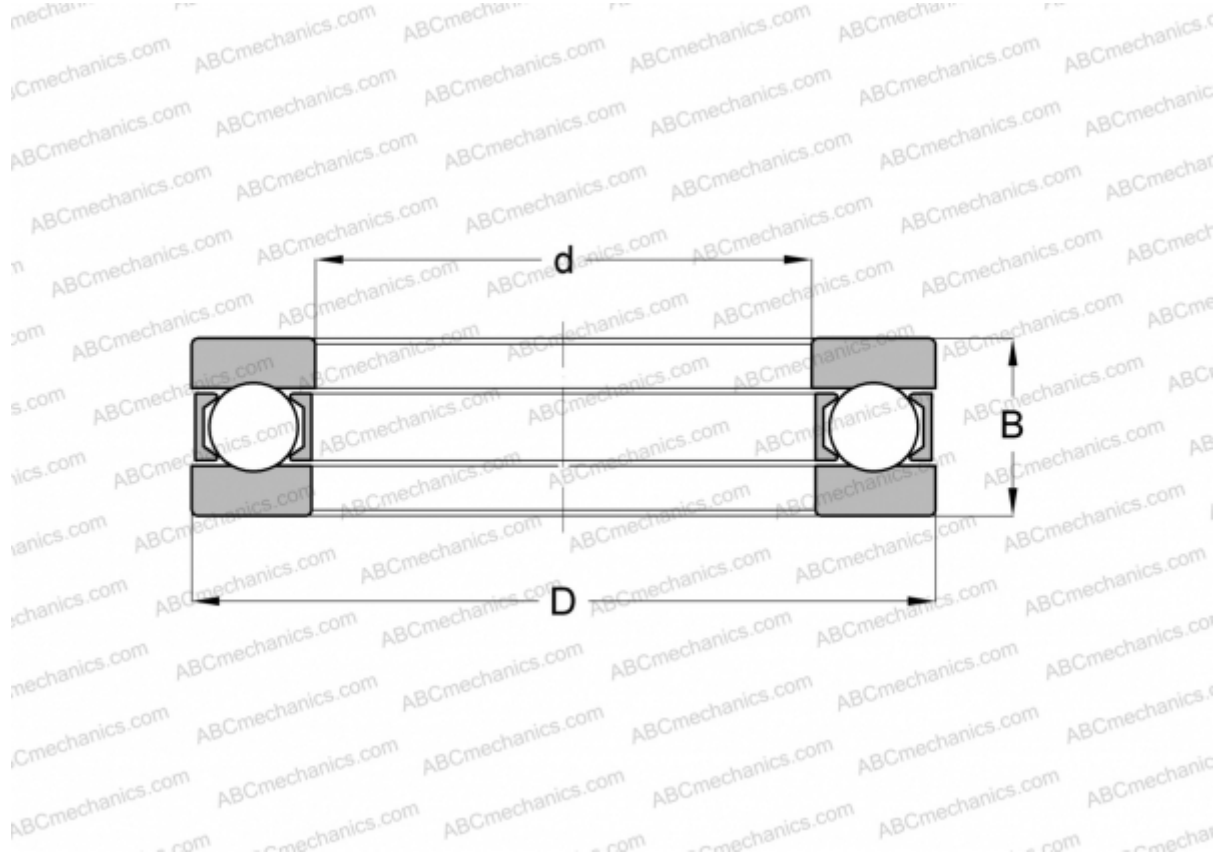


3921 INA

Thrust ball bearings

TYPE: Ball bearings, Thrust ball bearing, Single direction, Separable, series 9/10/29/39



Technical specification

DIMENSIONS, MM

d	105,000
D	180,000
D1	105,200
D2	180,000
B	60,000

WEIGHT, KG 6,836

MANUFACTURER [INA](#)

INTERCHANGE

SKF [3921](#)