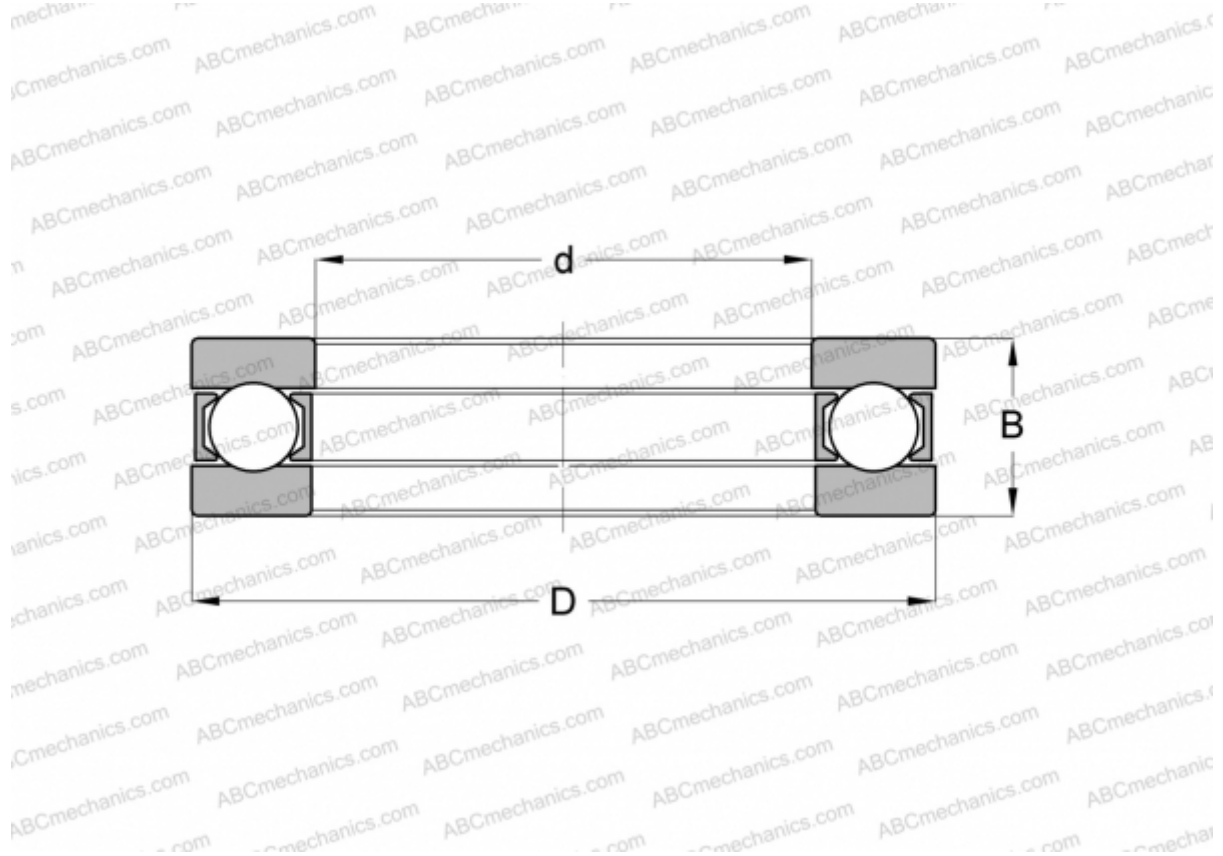


## 3922 INA

Thrust ball bearings

TYPE: Ball bearings, Thrust ball bearing, Single direction, Separable, series 9/10/29/39



### Technical specification

#### DIMENSIONS, MM

d	110,000
D	190,000
D1	110,200
D2	190,000
B	63,000

**WEIGHT, KG** 8,051

**MANUFACTURER** [INA](#)

#### INTERCHANGE

SKF [3922](#)