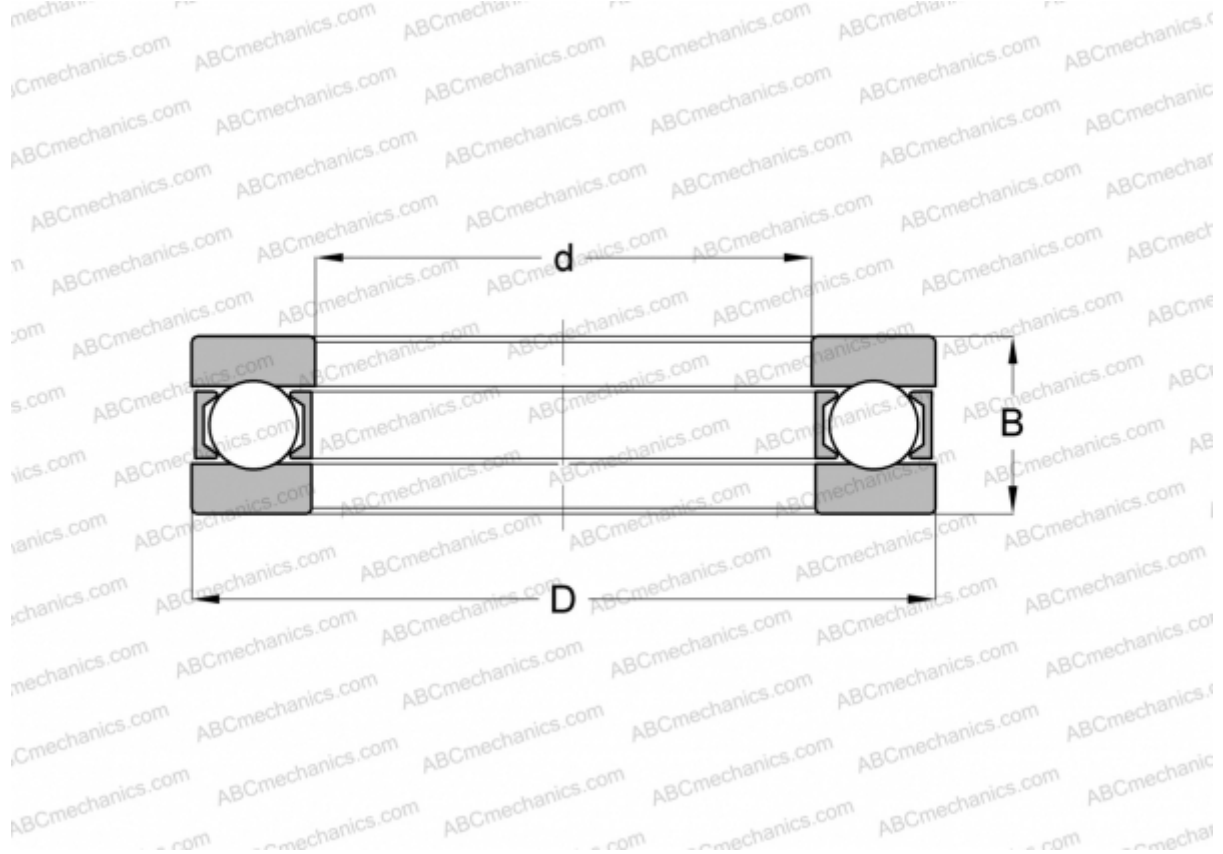


904 SKF

Thrust ball bearings

TYPE: Ball bearings, Thrust ball bearing, Single direction, Separable, series 9/10/29/39



Technical specification

DIMENSIONS, MM

d	20,000
D	40,000
D1	20,200
D2	40,000
B	14,000

WEIGHT, KG 0,077

MANUFACTURER [SKF](#)

INTERCHANGE

INA	904
MRC	1104F