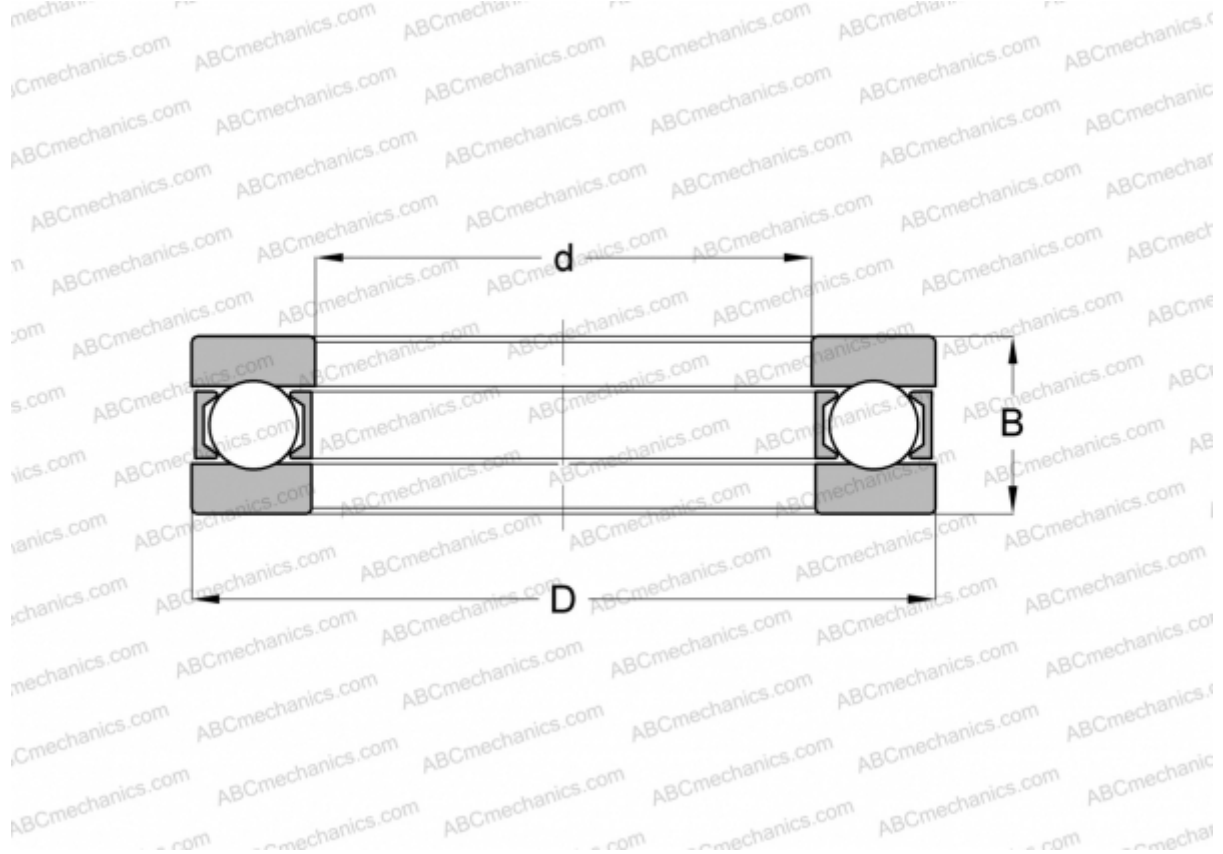


907 INA

Thrust ball bearings

TYPE: Ball bearings, Thrust ball bearing, Single direction, Separable, series 9/10/29/39



Technical specification

DIMENSIONS, MM

d	35,000
D	62,000
D1	35,200
D2	62,000
B	18,000

WEIGHT, KG 0,209

MANUFACTURER [INA](#)

INTERCHANGE

MRC	1107F
SKF	907