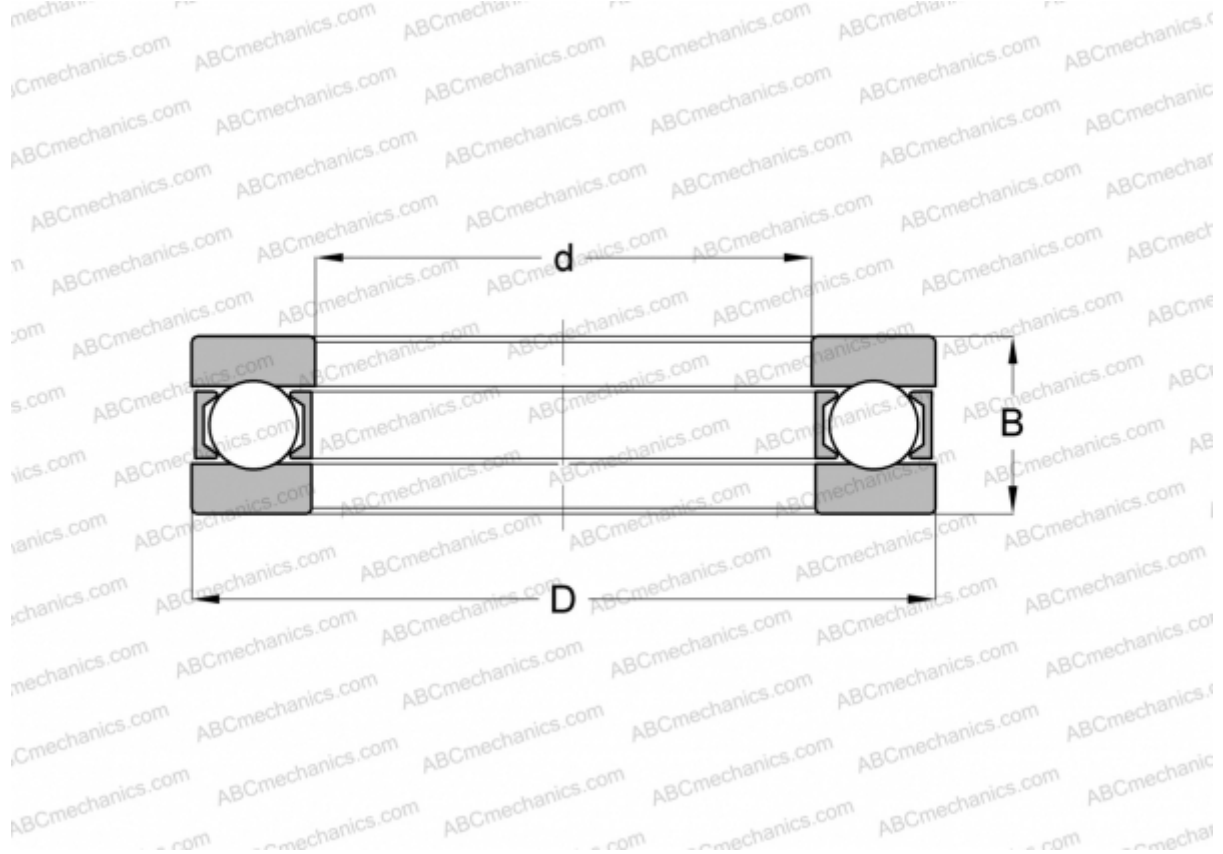


## 911 INA

Thrust ball bearings

TYPE: Ball bearings, Thrust ball bearing, Single direction, Separable, series 9/10/29/39



### Technical specification

#### DIMENSIONS, MM

d	55,000
D	88,000
D1	55,200
D2	88,000
B	24,500

**WEIGHT, KG** 0,540

**MANUFACTURER** [INA](#)

#### INTERCHANGE

MRC	<a href="#">1111F2</a>
SKF	<a href="#">911</a>