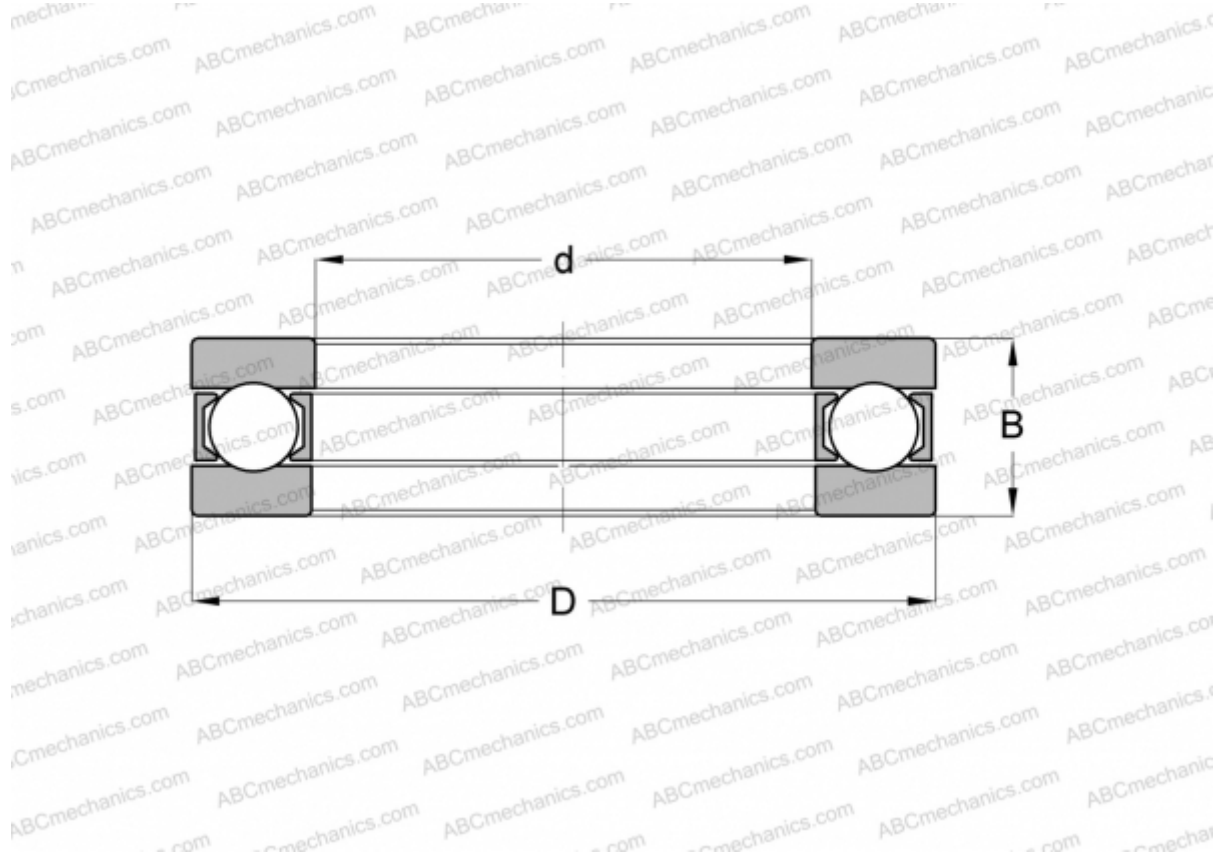


## 1113F MRC

Thrust ball bearings

TYPE: Ball bearings, Thrust ball bearing, Single direction, Separable, series 9/10/29/39



### Technical specification

#### DIMENSIONS, MM

d	65,000
D	100,000
D1	65,200
D2	100,000
B	27,000

**WEIGHT, KG** 0,730

**MANUFACTURER** [MRC](#)

#### INTERCHANGE

INA	<a href="#">913</a>
SKF	<a href="#">913</a>