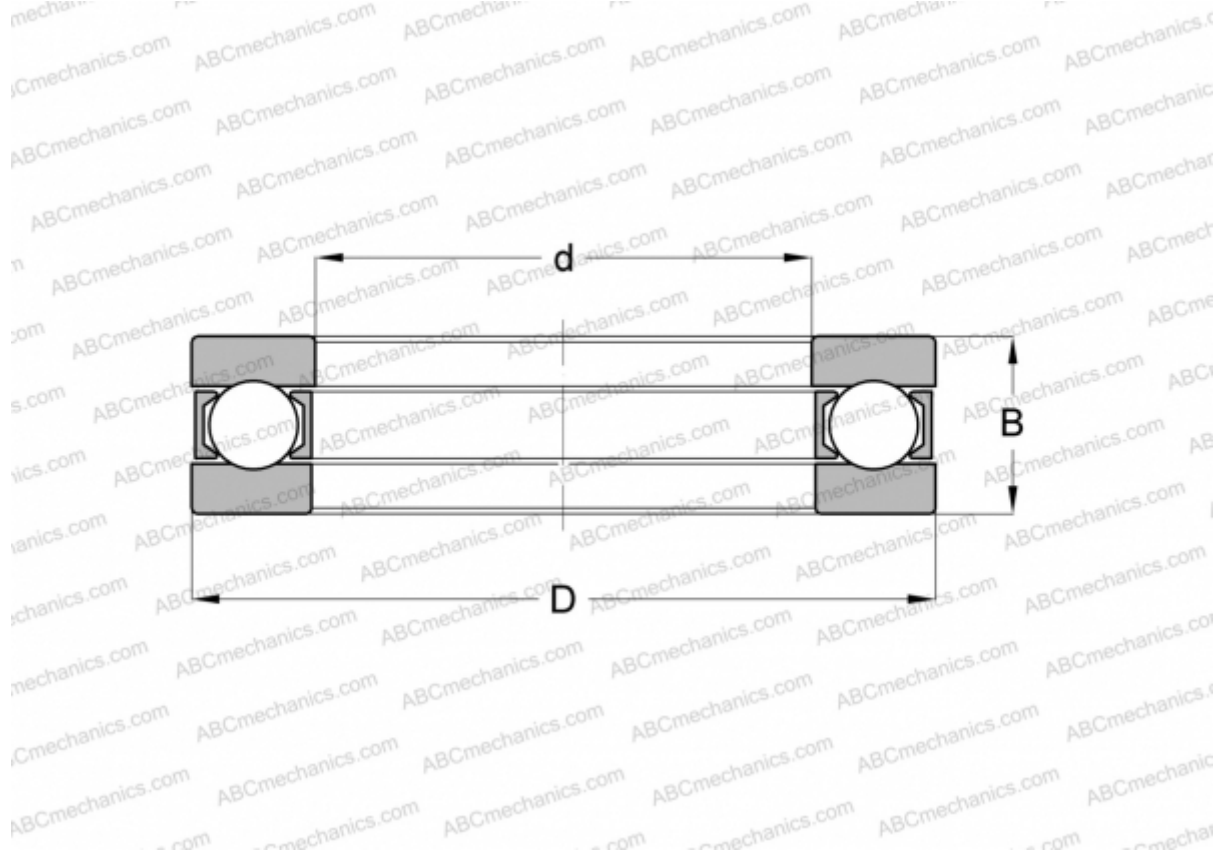


## 914 SKF

Thrust ball bearings

TYPE: Ball bearings, Thrust ball bearing, Single direction, Separable, series 9/10/29/39



### Technical specification

#### DIMENSIONS, MM

|    |         |
|----|---------|
| d  | 70,000  |
| D  | 103,000 |
| D1 | 70,200  |
| D2 | 103,000 |
| B  | 27,000  |

**WEIGHT, KG** 0,703

**MANUFACTURER** [SKF](#)

#### INTERCHANGE

|     |                       |
|-----|-----------------------|
| INA | <a href="#">914</a>   |
| MRC | <a href="#">1114F</a> |