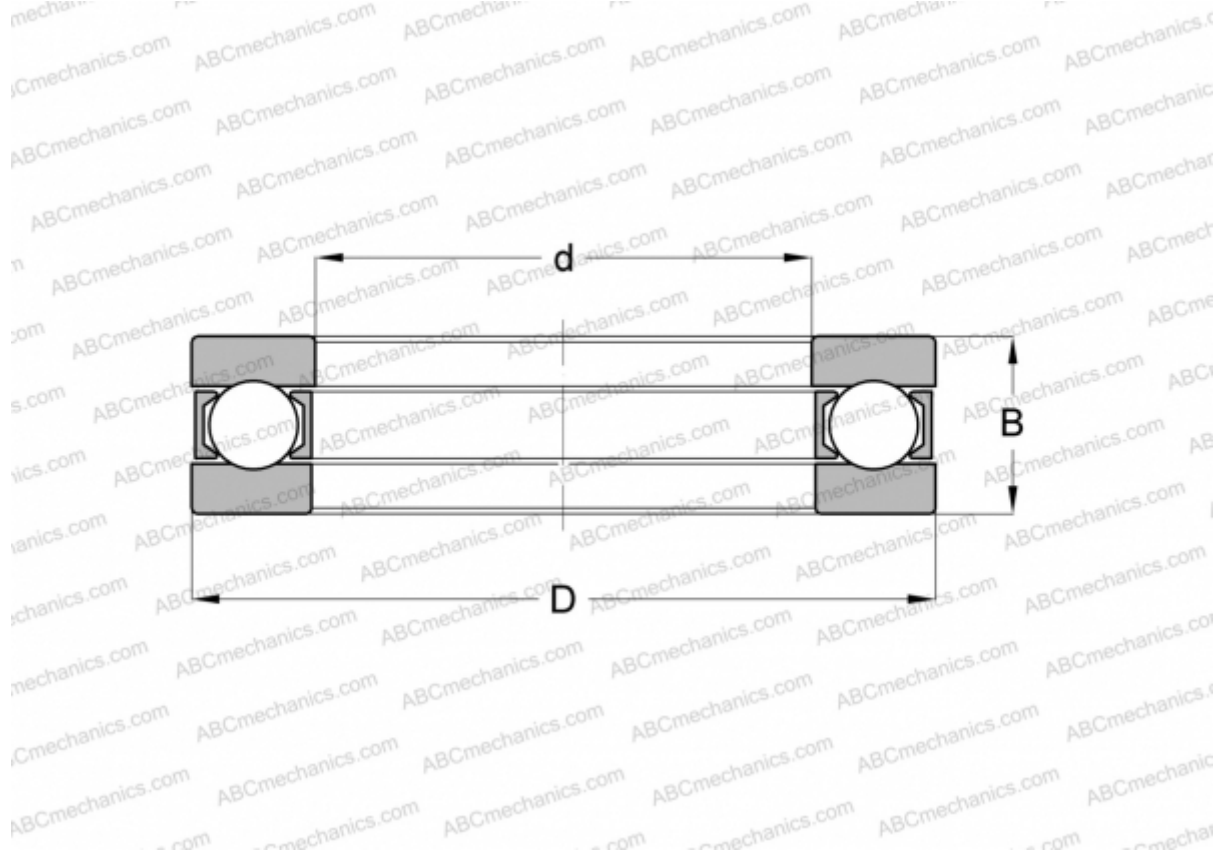


917 SKF

Thrust ball bearings

TYPE: Ball bearings, Thrust ball bearing, Single direction, Separable, series 9/10/29/39



Technical specification

DIMENSIONS, MM

d	85,000
D	125,000
D1	85,200
D2	125,000
B	30,500

WEIGHT, KG 1,166

MANUFACTURER [SKF](#)

INTERCHANGE

INA	917
MRC	1117F2