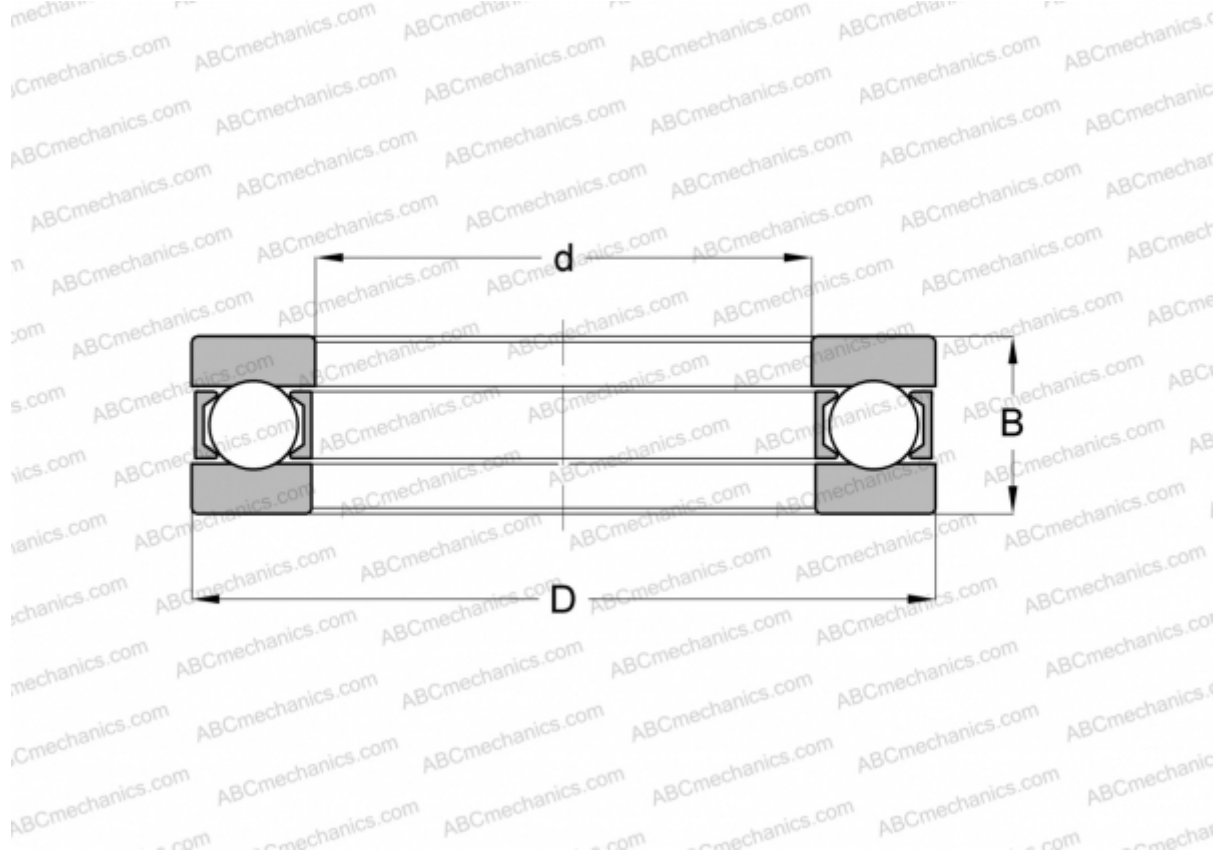


## 918 SKF

Thrust ball bearings

TYPE: Ball bearings, Thrust ball bearing, Single direction, Separable, series 9/10/29/39



### Technical specification

#### DIMENSIONS, MM

d	90,000
D	135,000
D1	90,200
D2	135,000
B	30,500

**WEIGHT, KG** 1,397

**MANUFACTURER** [SKF](#)

#### INTERCHANGE

INA	<a href="#">918</a>
MRC	<a href="#">1118F1</a>