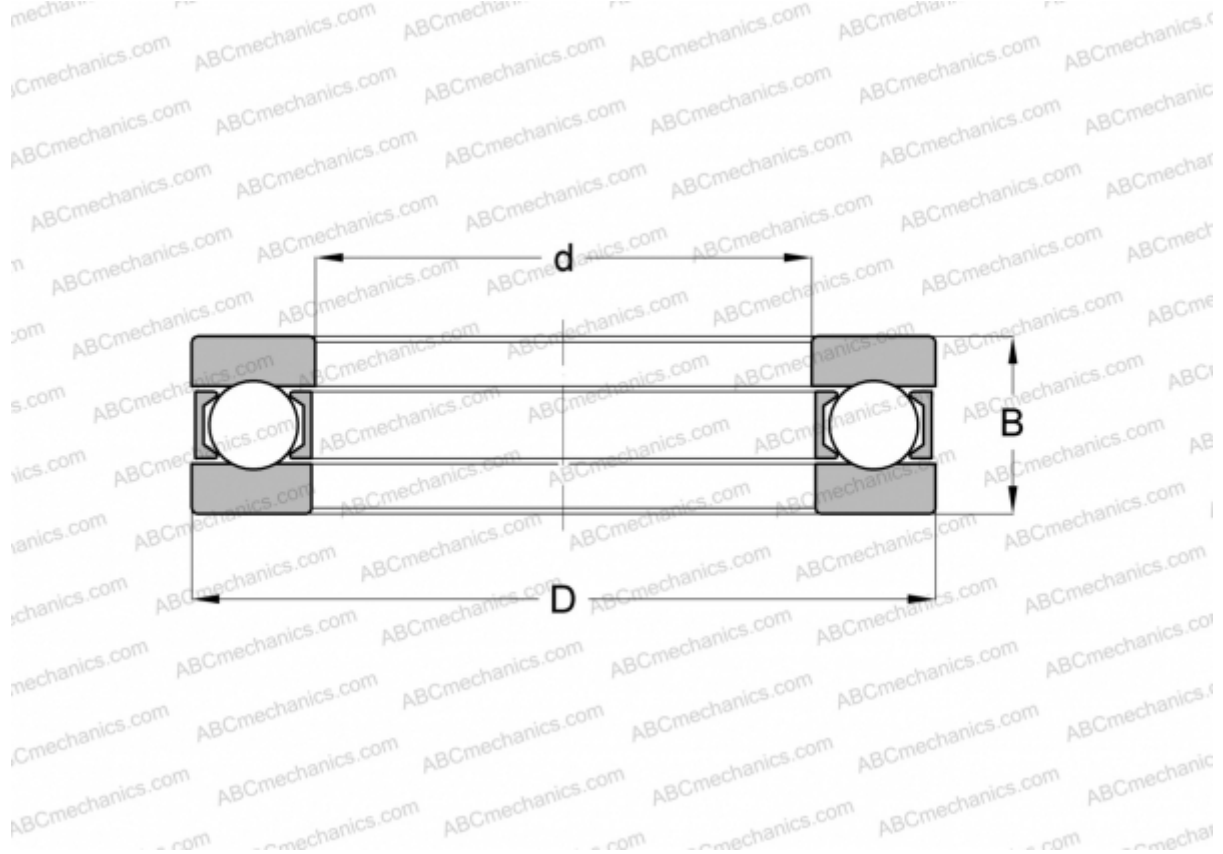


919 INA

Thrust ball bearings

TYPE: Ball bearings, Thrust ball bearing, Single direction, Separable, series 9/10/29/39



Technical specification

DIMENSIONS, MM

d	95,000
D	140,000
D1	95,200
D2	140,000
B	32,500

WEIGHT, KG 1,574

MANUFACTURER [INA](#)

INTERCHANGE

MRC	1119F2
SKF	919