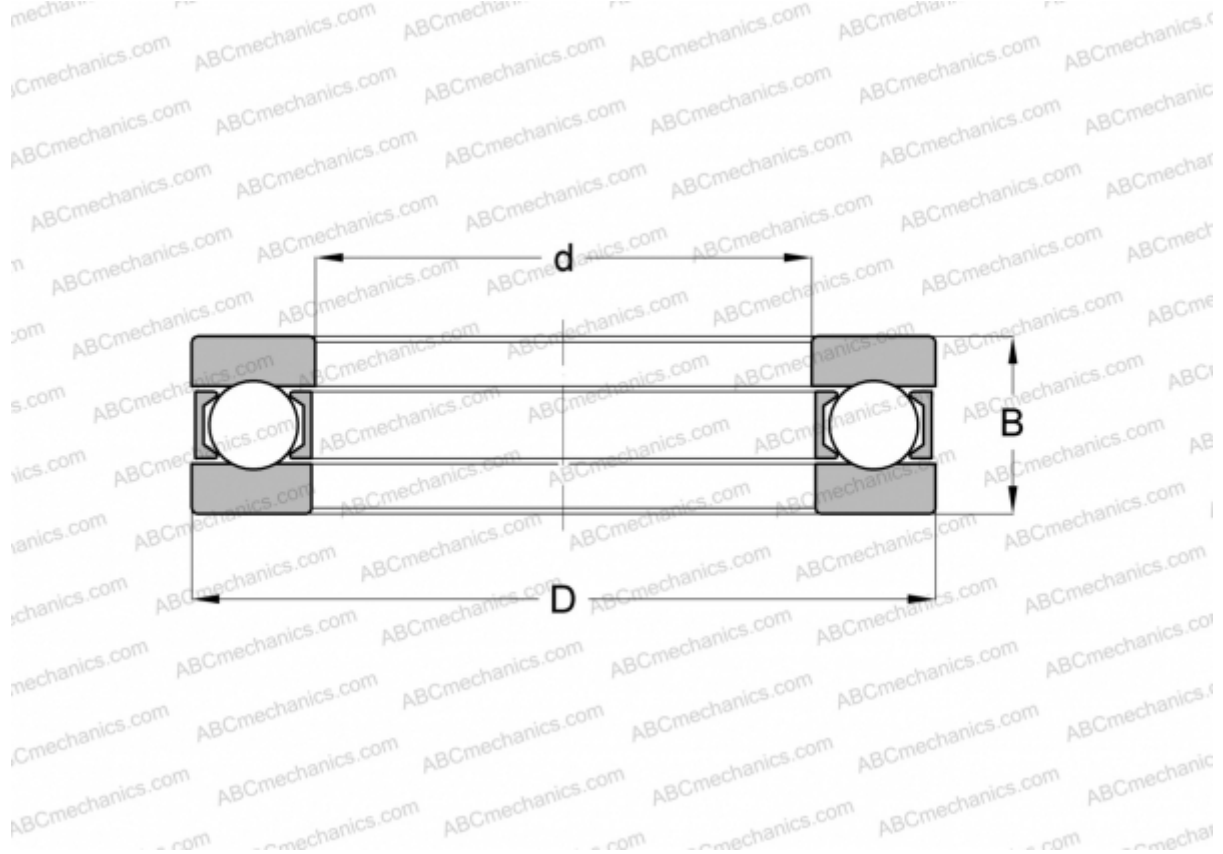


## 923 INA

Thrust ball bearings

TYPE: Ball bearings, Thrust ball bearing, Single direction, Separable, series 9/10/29/39



### Technical specification

#### DIMENSIONS, MM

d	115,000
D	165,000
D1	115,200
D2	165,000
B	43,000

**WEIGHT, KG** 3,175

**MANUFACTURER** [INA](#)

#### INTERCHANGE

MRC	<a href="#">1123F</a>
SKF	<a href="#">923</a>