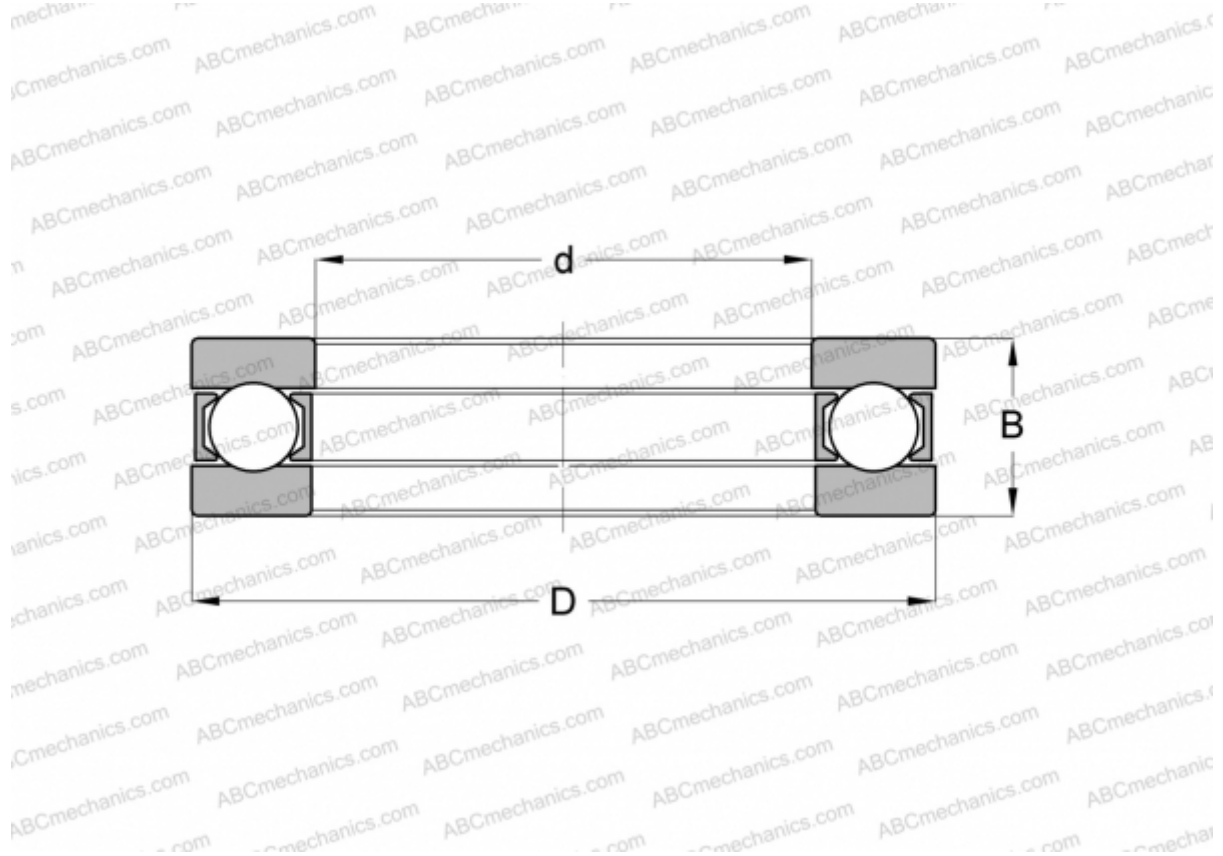


1123F MRC

Thrust ball bearings

TYPE: Ball bearings, Thrust ball bearing, Single direction, Separable, series 9/10/29/39



Technical specification

DIMENSIONS, MM

d	115,000
D	165,000
D1	115,200
D2	165,000
B	43,000

WEIGHT, KG 3,175

MANUFACTURER [MRC](#)

INTERCHANGE

INA	923
SKF	923