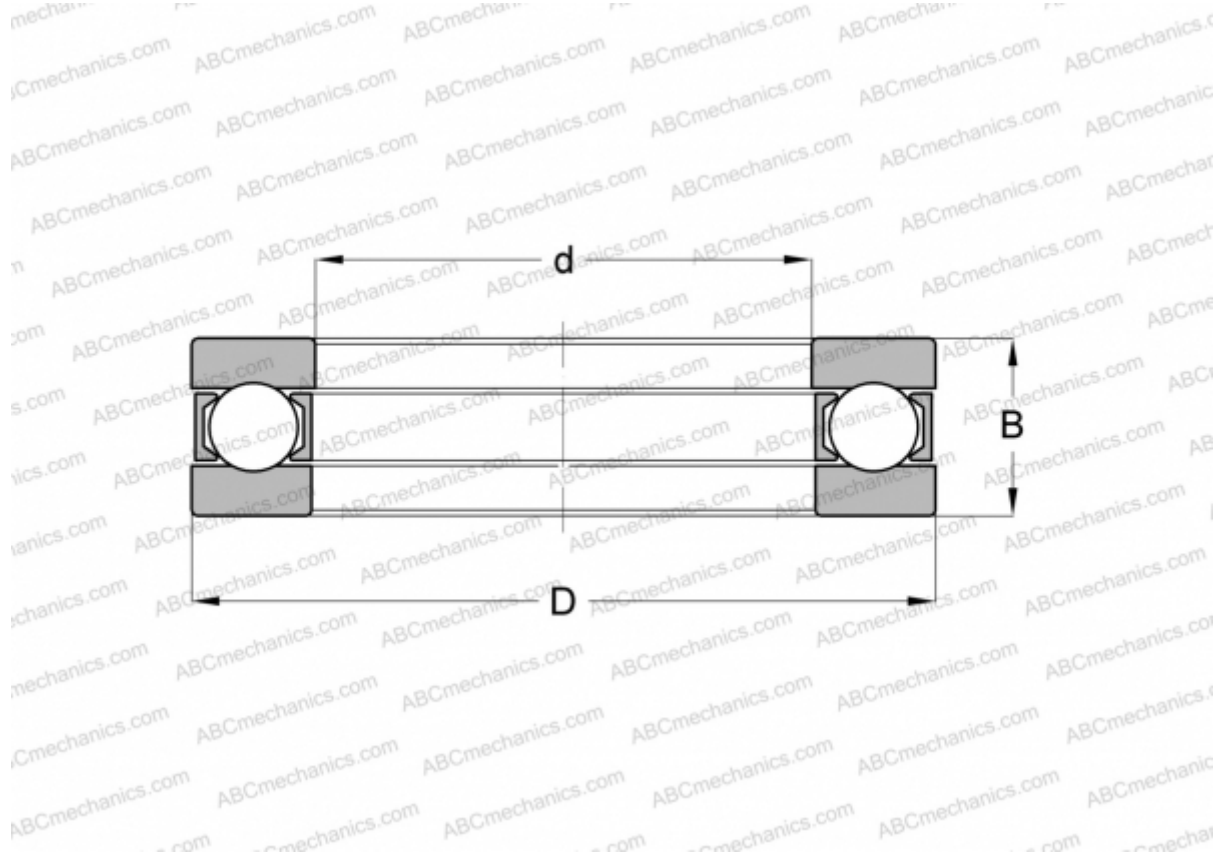


## 1128F MRC

Thrust ball bearings

TYPE: Ball bearings, Thrust ball bearing, Single direction, Separable, series 9/10/29/39



### Technical specification

#### DIMENSIONS, MM

|    |         |
|----|---------|
| d  | 140,000 |
| D  | 200,000 |
| D1 | 140,200 |
| D2 | 200,000 |
| B  | 52,000  |

**WEIGHT, KG** 5,103

**MANUFACTURER** [MRC](#)

#### INTERCHANGE

|     |                     |
|-----|---------------------|
| INA | <a href="#">928</a> |
| SKF | <a href="#">928</a> |