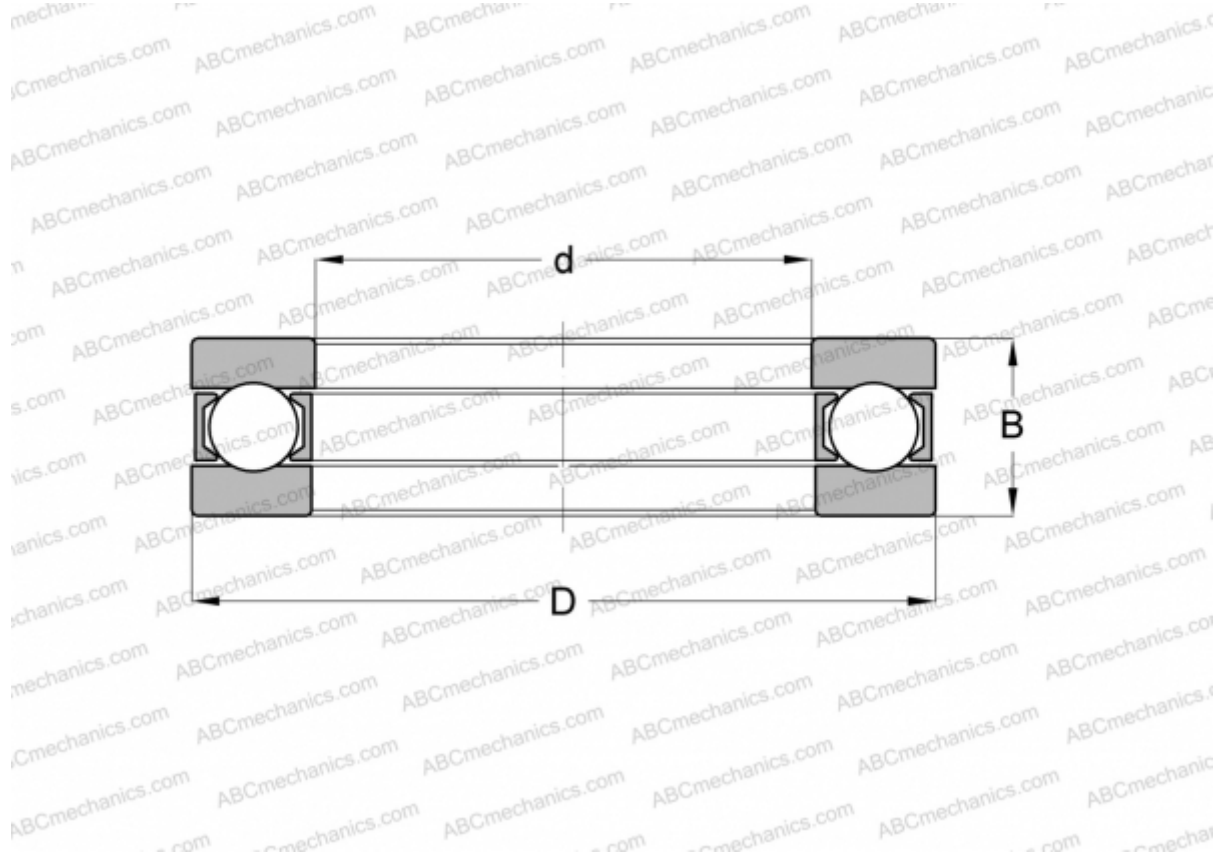


## 932 INA

Thrust ball bearings

TYPE: Ball bearings, Thrust ball bearing, Single direction, Separable, series 9/10/29/39



### Technical specification

#### DIMENSIONS, MM

d	160,000
D	235,000
D1	160,500
D2	235,000
B	60,000

**WEIGHT, KG** 9,525

**MANUFACTURER** [INA](#)