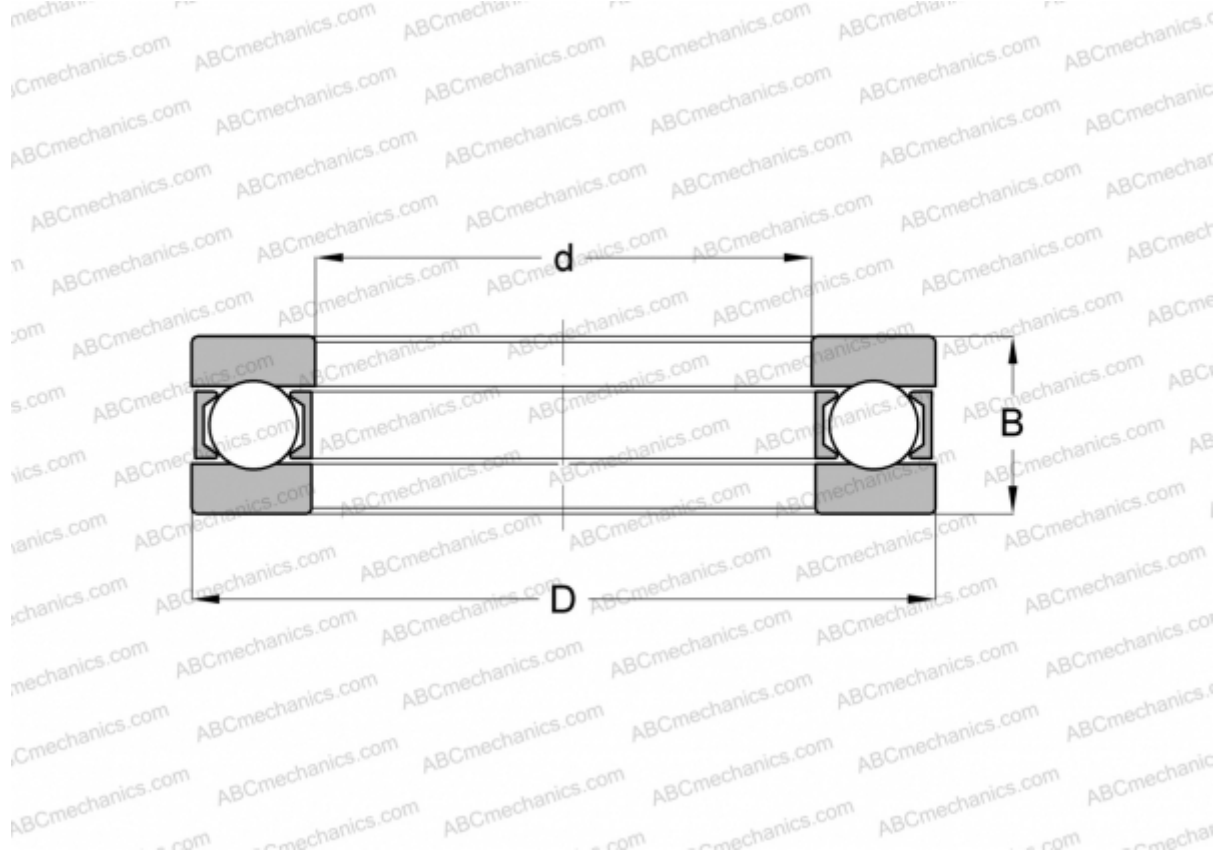


10Y25 INA

Thrust ball bearings

TYPE: Ball bearings, Thrust ball bearing, Single direction, Separable, series 9/10/29/39



Technical specification

DIMENSIONS, MM

d	24,400
D	38,100
D2	38,100
B	15,875

WEIGHT, KG 0,065

MANUFACTURER [INA](#)