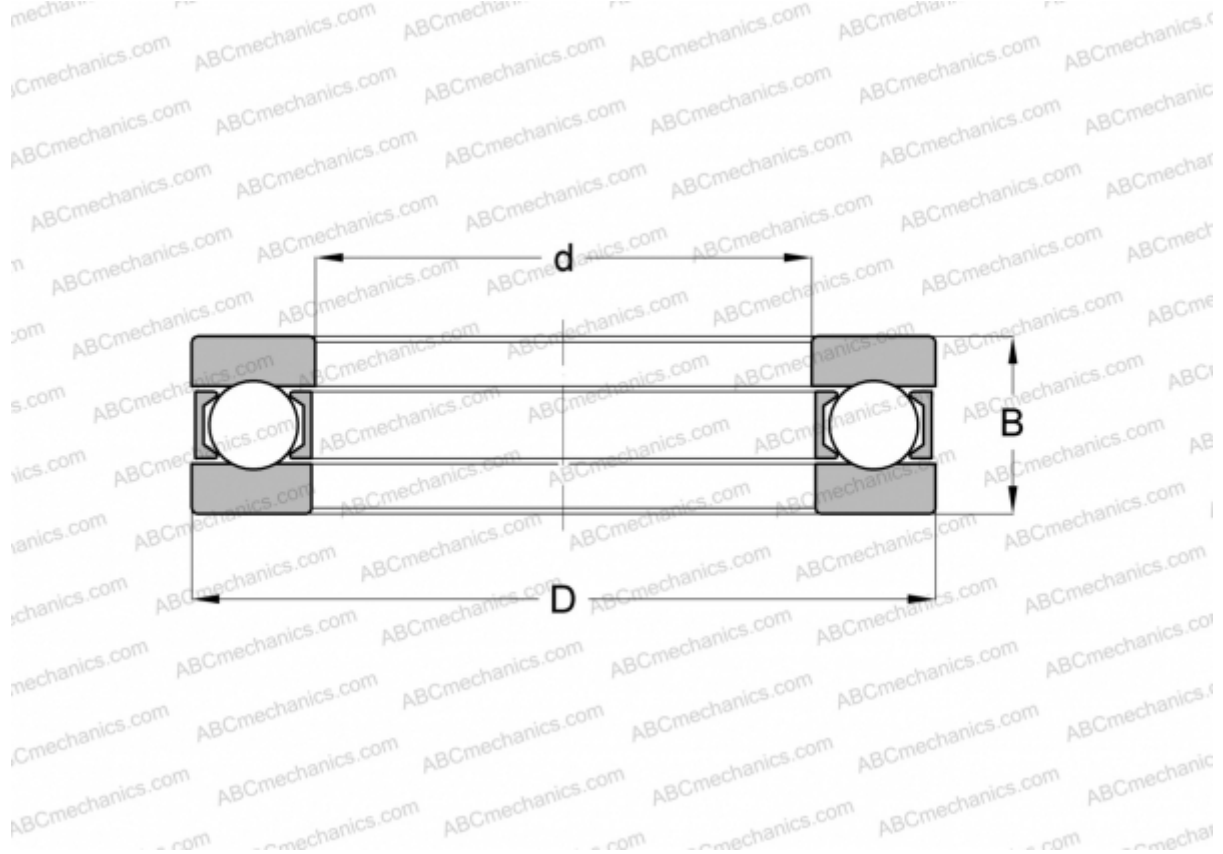


10Y03 INA

Thrust ball bearings

TYPE: Ball bearings, Thrust ball bearing, Single direction, Separable, series 9/10/29/39



Technical specification

DIMENSIONS, MM

d	26,180
D	41,656
D1	26,289
D2	41,656
B	16,002

WEIGHT, KG 0,087

MANUFACTURER [INA](#)