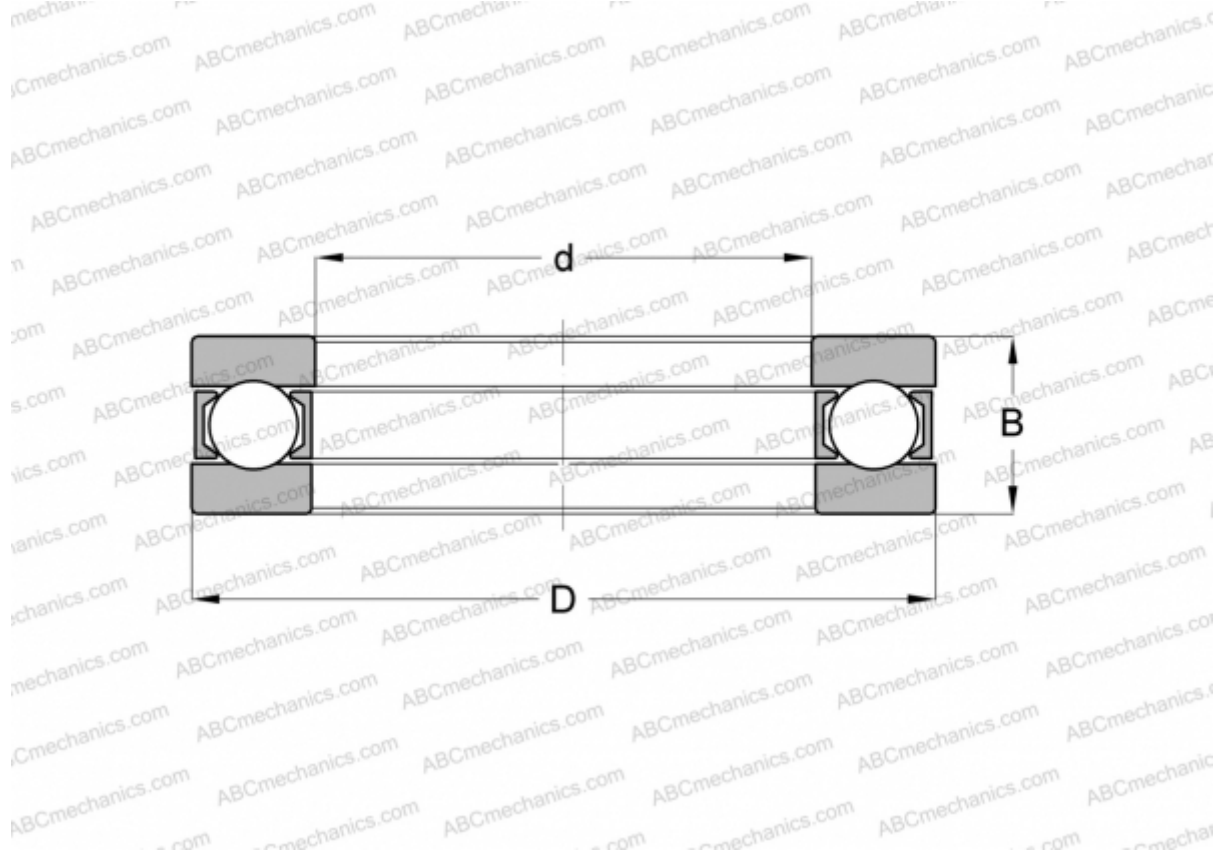


1007 INA

Thrust ball bearings

TYPE: Ball bearings, Thrust ball bearing, Single direction, Separable, series 9/10/29/39



Technical specification

DIMENSIONS, MM

d	35,000
D	72,000
D1	35,204
D2	72,000
B	37,000

WEIGHT, KG 0,754

MANUFACTURER [INA](#)