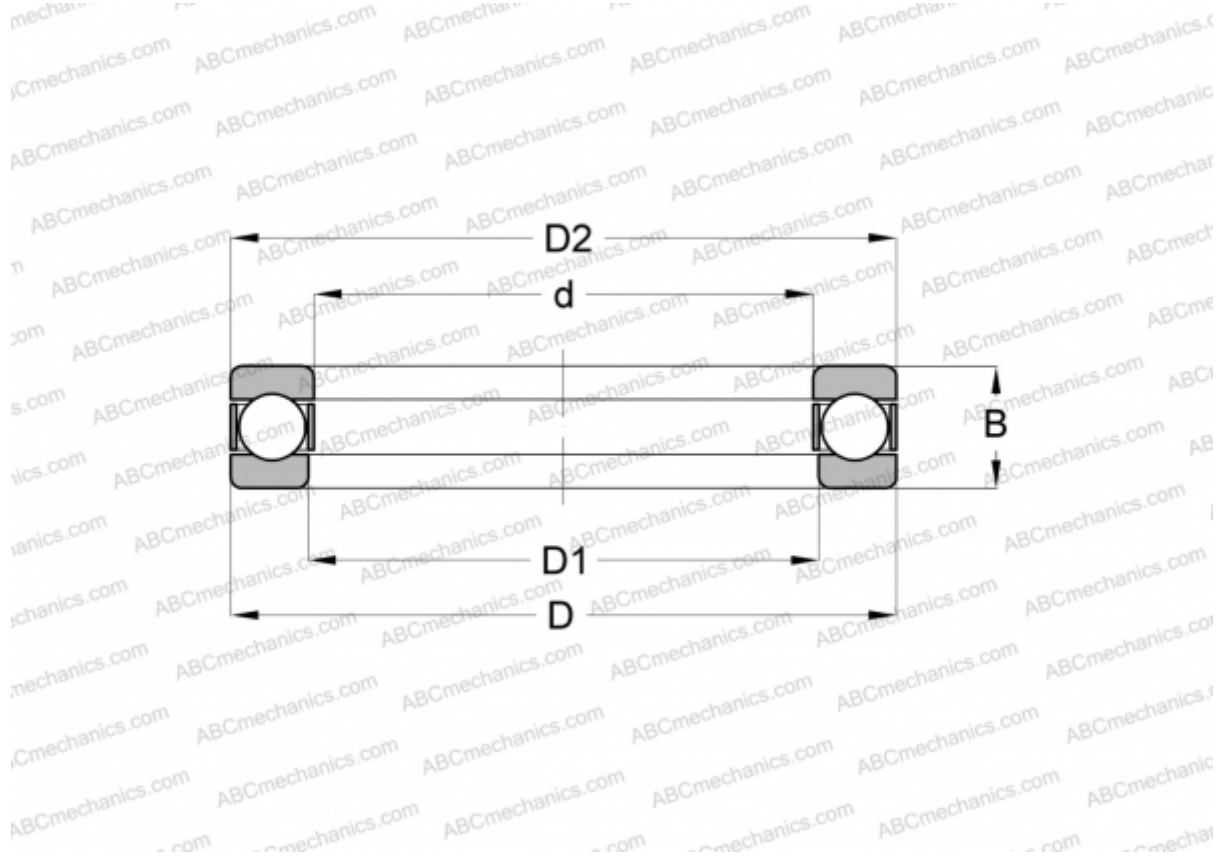


XLT-10 1/2 E RHP

Thrust ball bearings

TYPE: Ball bearings, Thrust ball bearing, Single direction, Separable, inch size



Technical specification

DIMENSIONS, MM

d	266,700
D	330,200
D1	269,875
D2	327,025
B	53,975

WEIGHT, KG 9,979

MANUFACTURER [RHP](#)

INTERCHANGE

ABC	XW-10 1/2
INA	XW-10 1/2
NORMA HOFFMAN	XW-10 1/2