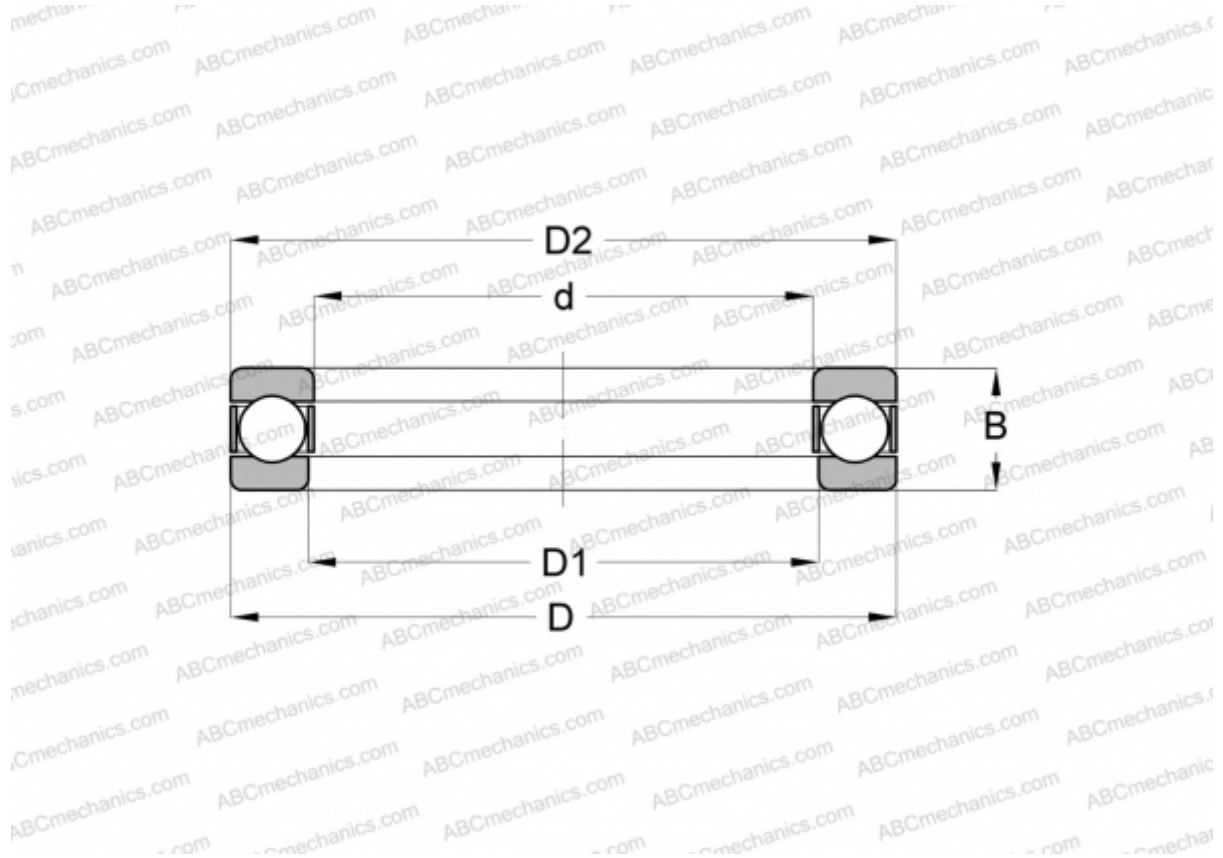


## XW-16 1/2 INA

Thrust ball bearings

TYPE: Ball bearings, Thrust ball bearing, Single direction, Separable, inch size



### Technical specification

#### DIMENSIONS, MM

d	419,100
D	520,700
D1	425,450
D2	514,350
B	92,075

**WEIGHT, KG** 44,452

**MANUFACTURER** [INA](#)

#### INTERCHANGE

ABC	<a href="#">XW-16 1/2</a>
NORMA HOFFMAN	<a href="#">XW-16 1/2</a>
RHP	<a href="#">XLT-16 1/2 E</a>