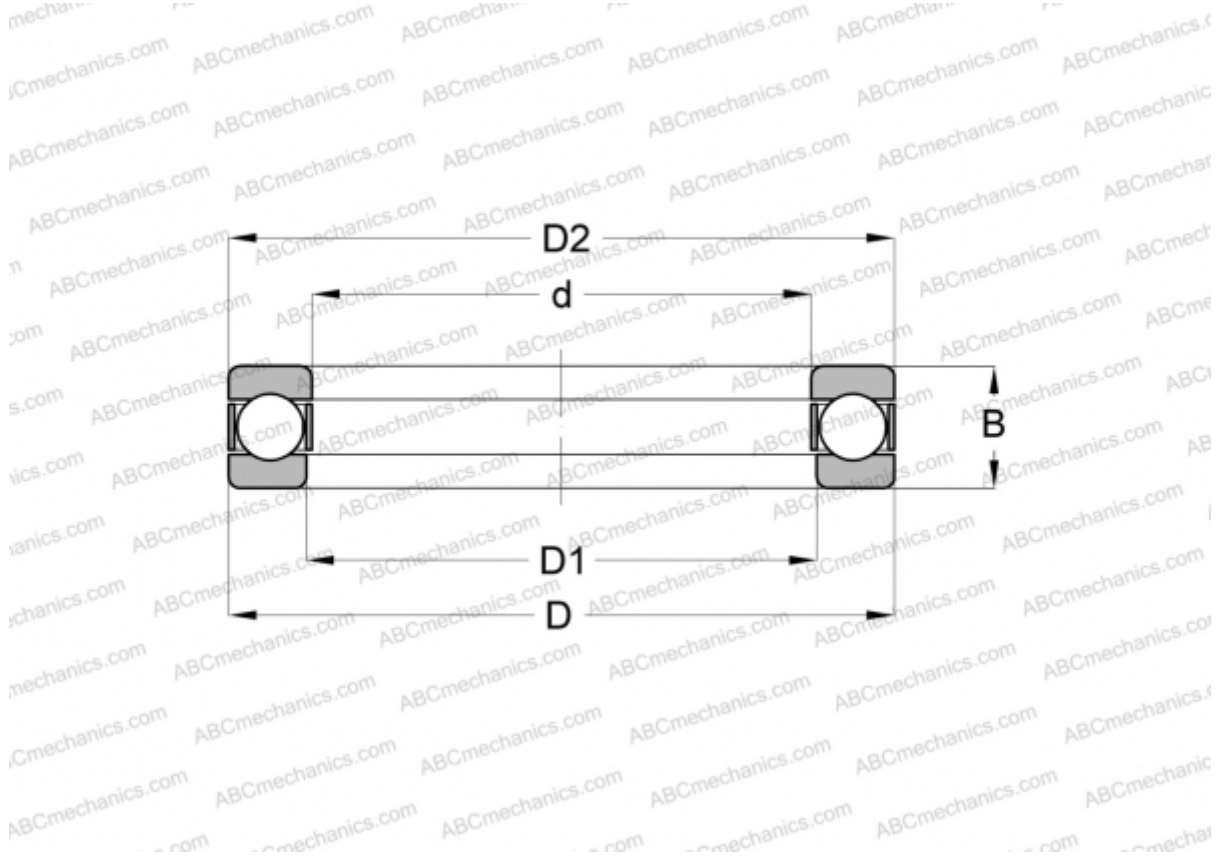


0-2 SKF

Thrust ball bearings

TYPE: Ball bearings, Thrust ball bearing, Single direction, Separable, inch size



Technical specification

DIMENSIONS, MM

d	6,350
D	20,638
D1	7,142
D2	19,843
B	9,525

WEIGHT, KG 0,018

MANUFACTURER [SKF](#)

INTERCHANGE

ABC	W- 1/4
INA	W- 1/4
FBC	W- 1/4
RHP	LT- 1/4 B