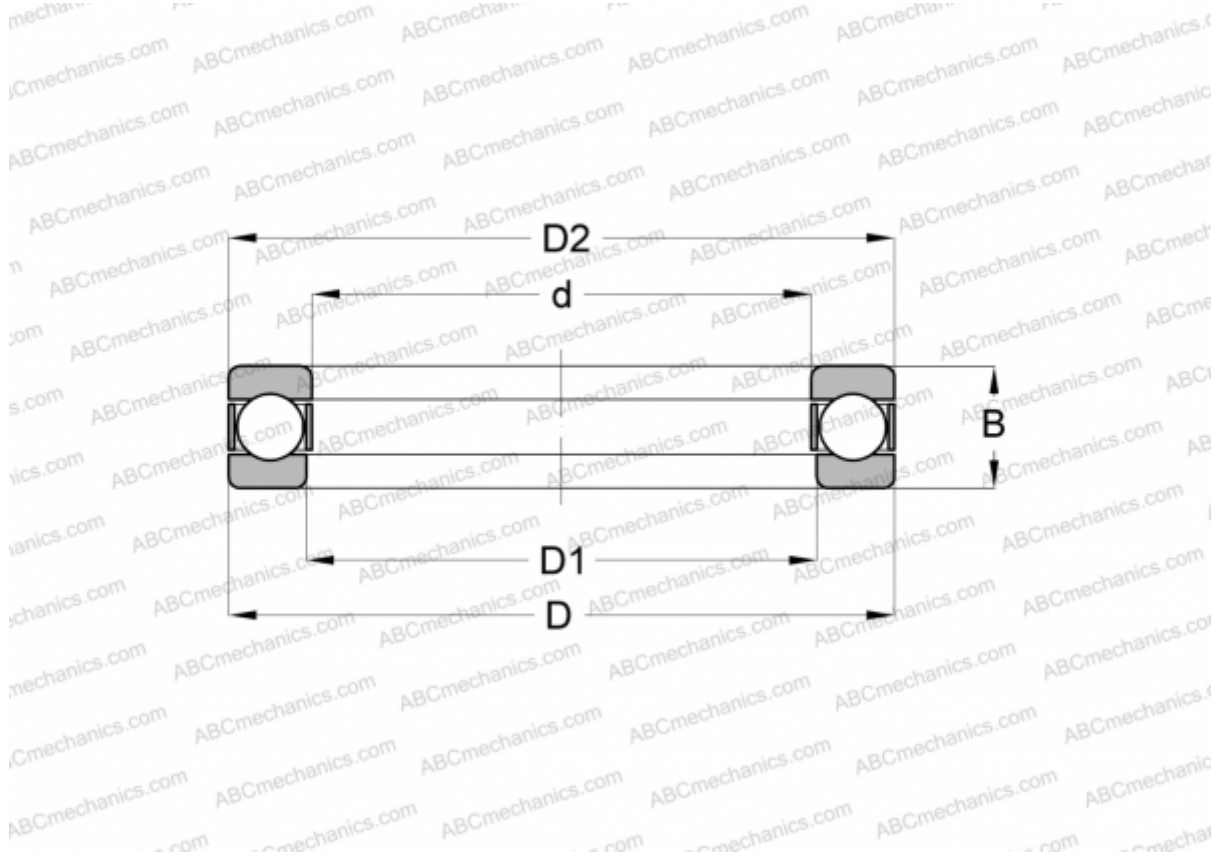


W- 5/16 INA

Thrust ball bearings

TYPE: Ball bearings, Thrust ball bearing, Single direction, Separable, inch size



Technical specification

DIMENSIONS, MM

d	7,938
D	25,400
D1	8,730
D2	24,605
B	13,493

WEIGHT, KG 0,045

MANUFACTURER [INA](#)

INTERCHANGE

ABC	W- 5/16
FBC	W- 5/16
RHP	LT- 5/16 B
SKF	0-2 1/2