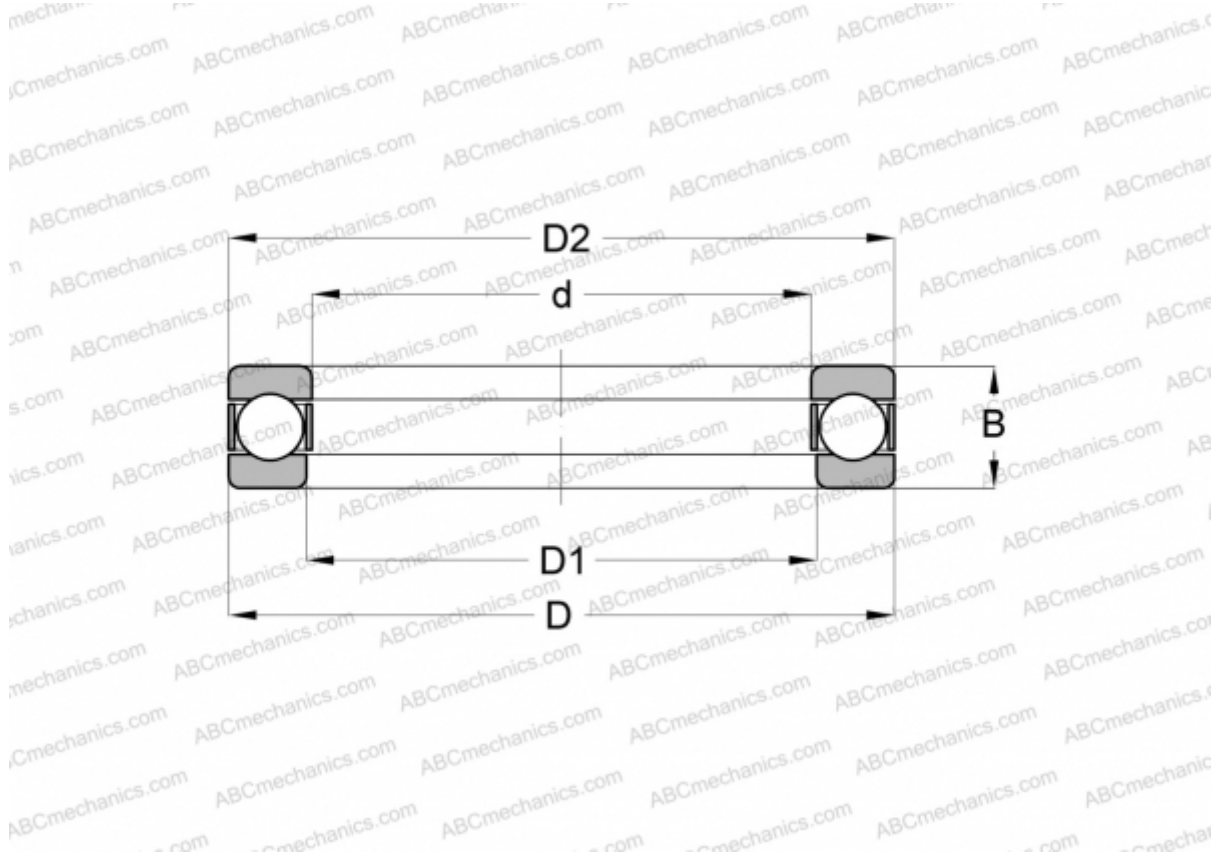


0-3 SKF

Thrust ball bearings

TYPE: Ball bearings, Thrust ball bearing, Single direction, Separable, inch size



Technical specification

DIMENSIONS, MM

d	9,525
D	25,400
D1	10,318
D2	24,605
B	13,493

WEIGHT, KG 0,045

MANUFACTURER [SKF](#)

INTERCHANGE

ABC	W- 3/8
INA	W- 3/8
FAFNIR	4303
FBC	W- 3/8
RHP	LT- 3/8 B