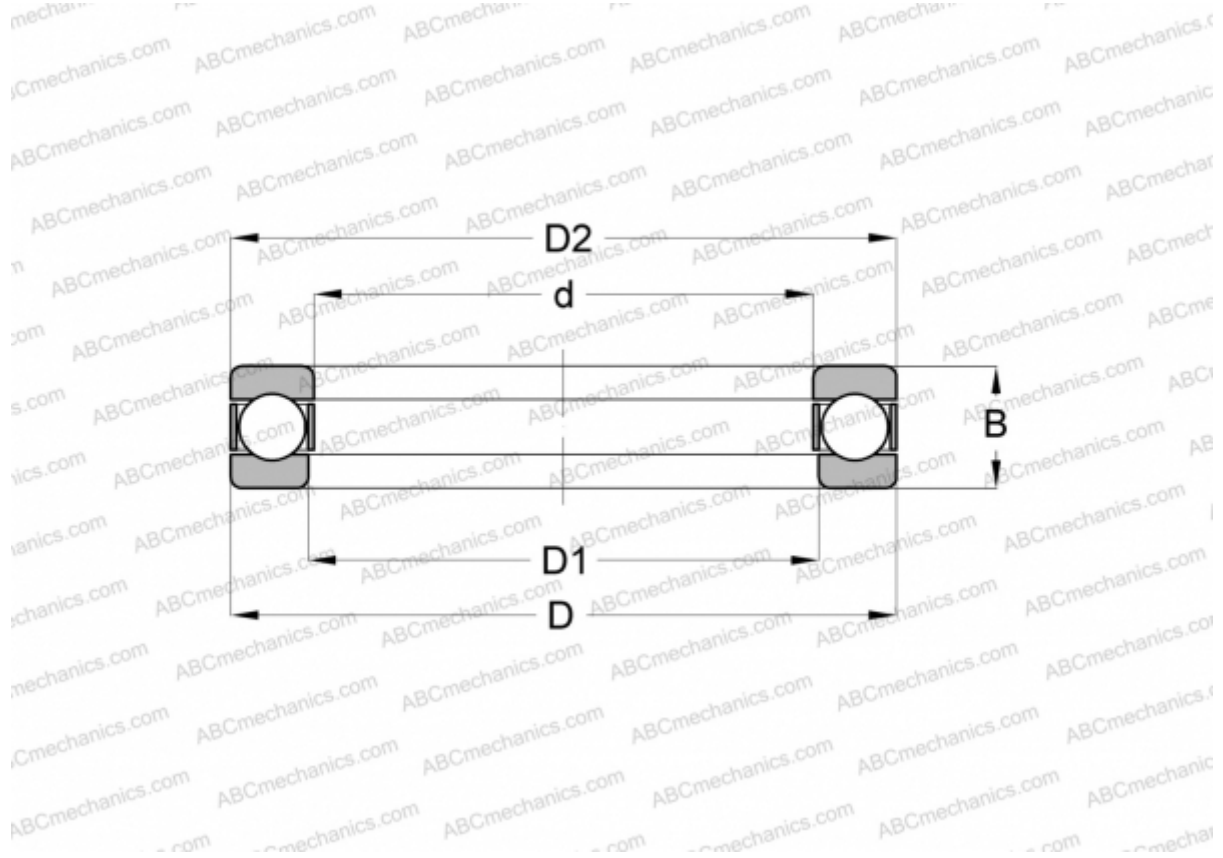


LT- 7/16 B RHP

Thrust ball bearings

TYPE: Ball bearings, Thrust ball bearing, Single direction, Separable, inch size



Technical specification

DIMENSIONS, MM

d	11,113
D	32,543
D1	11,905
D2	31,750
B	15,875

WEIGHT, KG 0,082

MANUFACTURER [RHP](#)

INTERCHANGE

ABC	W- 7/16
INA	W- 7/16
FAFNIR	4303A
FBC	W- 7/16
SKF	0-3 1/2