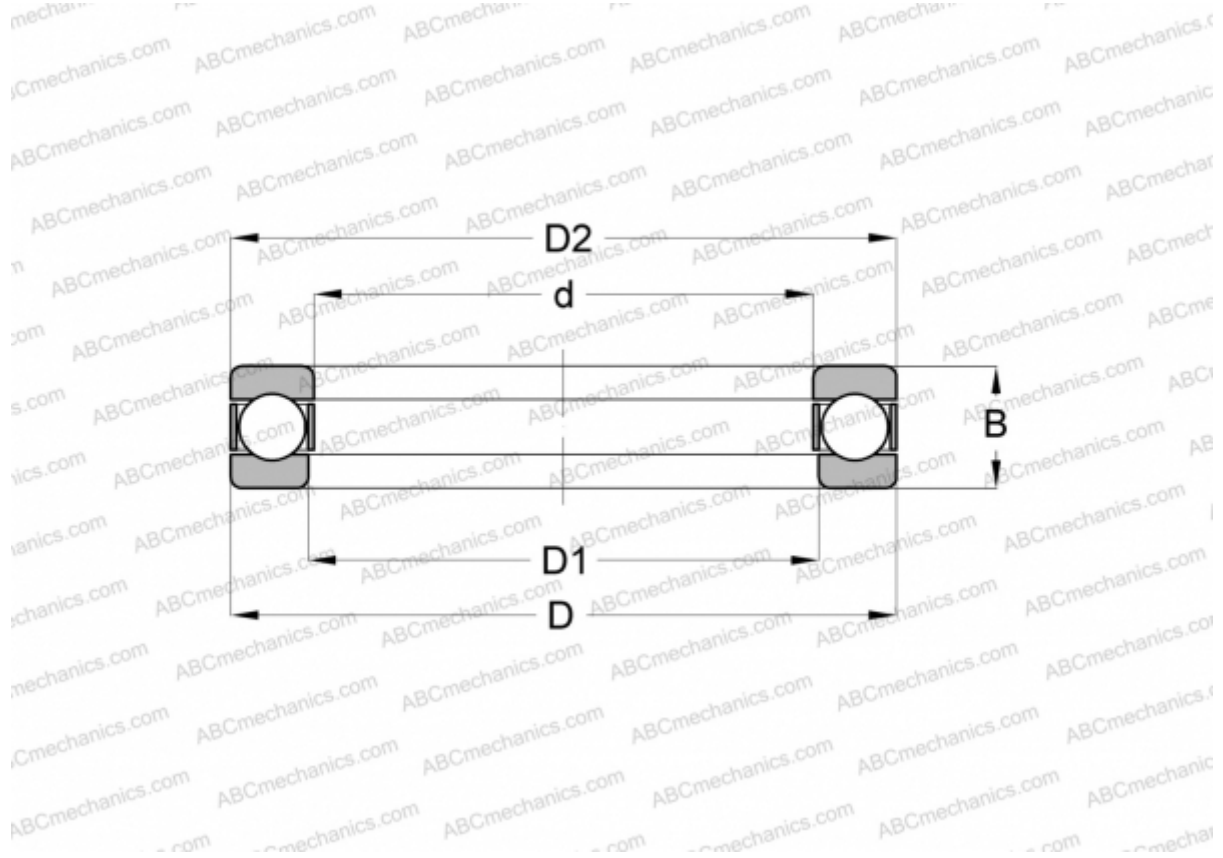


W- 1/2 INA

Thrust ball bearings

TYPE: Ball bearings, Thrust ball bearing, Single direction, Separable, inch size



Technical specification

DIMENSIONS, MM

d	12,700
D	32,543
D1	13,493
D2	31,750
B	15,875

WEIGHT, KG 0,077

MANUFACTURER [INA](#)

INTERCHANGE

ABC	W- 1/2
FAFNIR	4304
FBC	W- 1/2
MRC	1-B
RHP	LT- 1/2 B

INTERCHANGE

SKF	0-4
-----	---------------------