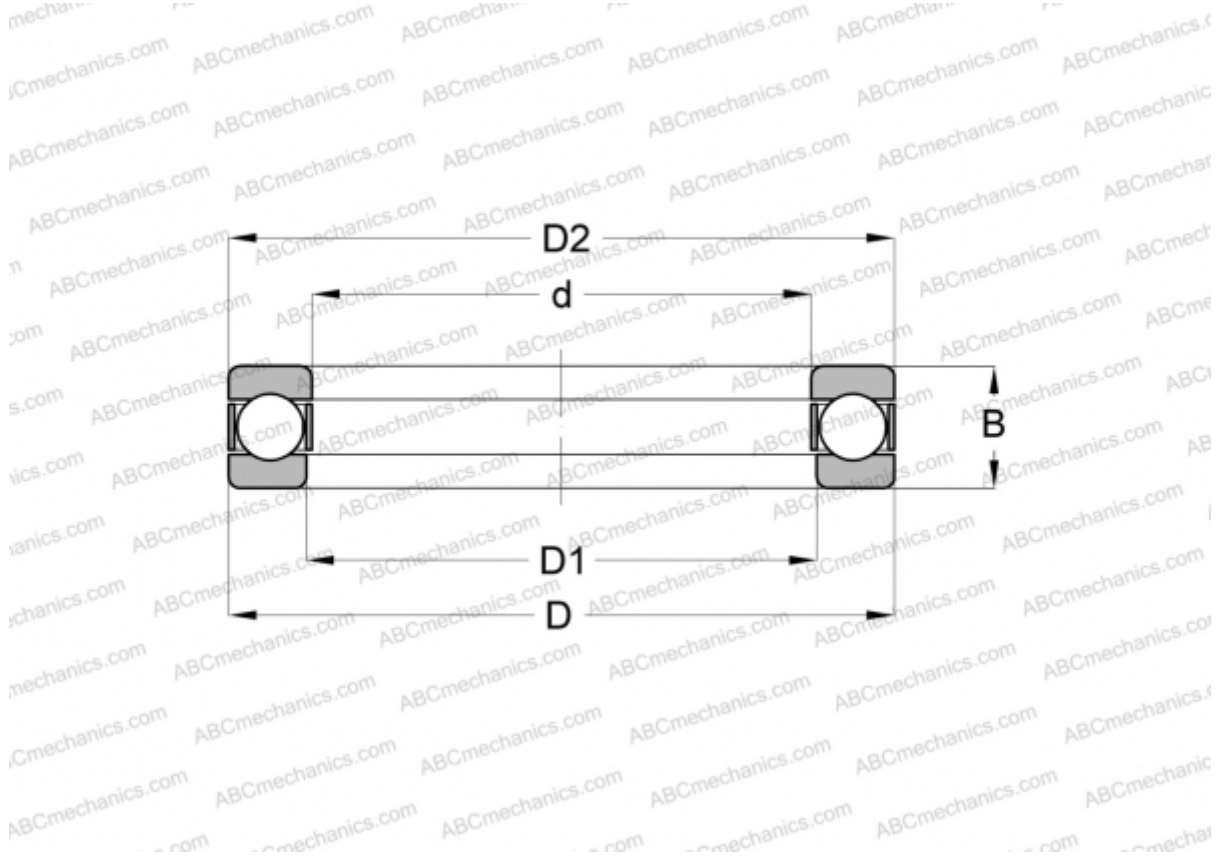


0-5 SKF

Thrust ball bearings

TYPE: Ball bearings, Thrust ball bearing, Single direction, Separable, inch size



Technical specification

DIMENSIONS, MM

d	15,875
D	35,718
D1	16,668
D2	34,925
B	15,875

WEIGHT, KG 0,086

MANUFACTURER [SKF](#)

INTERCHANGE

ABC	W- 5/8
INA	W- 5/8
FAFNIR	4305
FBC	W- 5/8
MRC	2-B

INTERCHANGE

RHP	LT- 5/8 B
-----	---------------------------