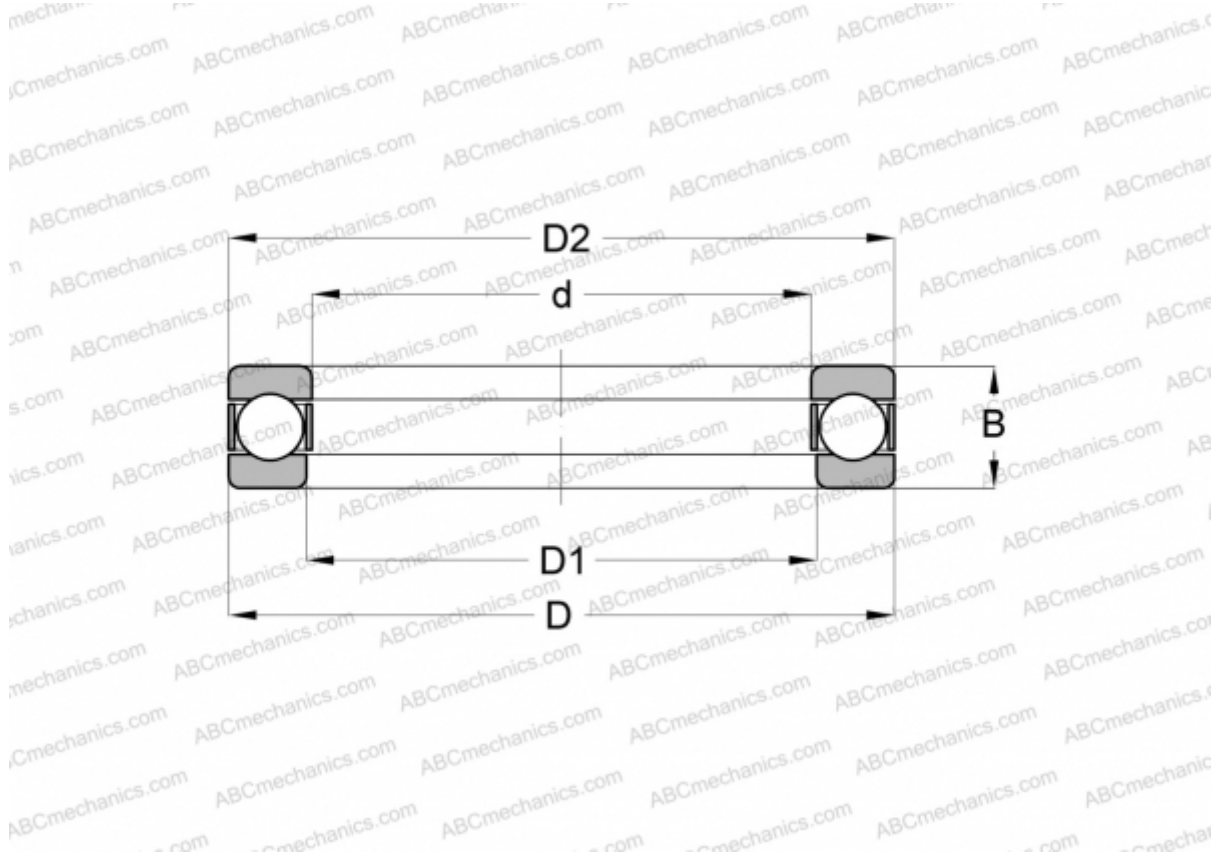


LT- 7/8 B RHP

Thrust ball bearings

TYPE: Ball bearings, Thrust ball bearing, Single direction, Separable, inch size



Technical specification

DIMENSIONS, MM

d	22,225
D	42,068
D1	23,018
D2	41,275
B	15,875

WEIGHT, KG 0,109

MANUFACTURER [RHP](#)

INTERCHANGE

ABC	W- 7/8
INA	W- 7/8
FAFNIR	4307
FBC	W- 7/8
MRC	4-B

INTERCHANGE

SKF	0-7
-----	---------------------