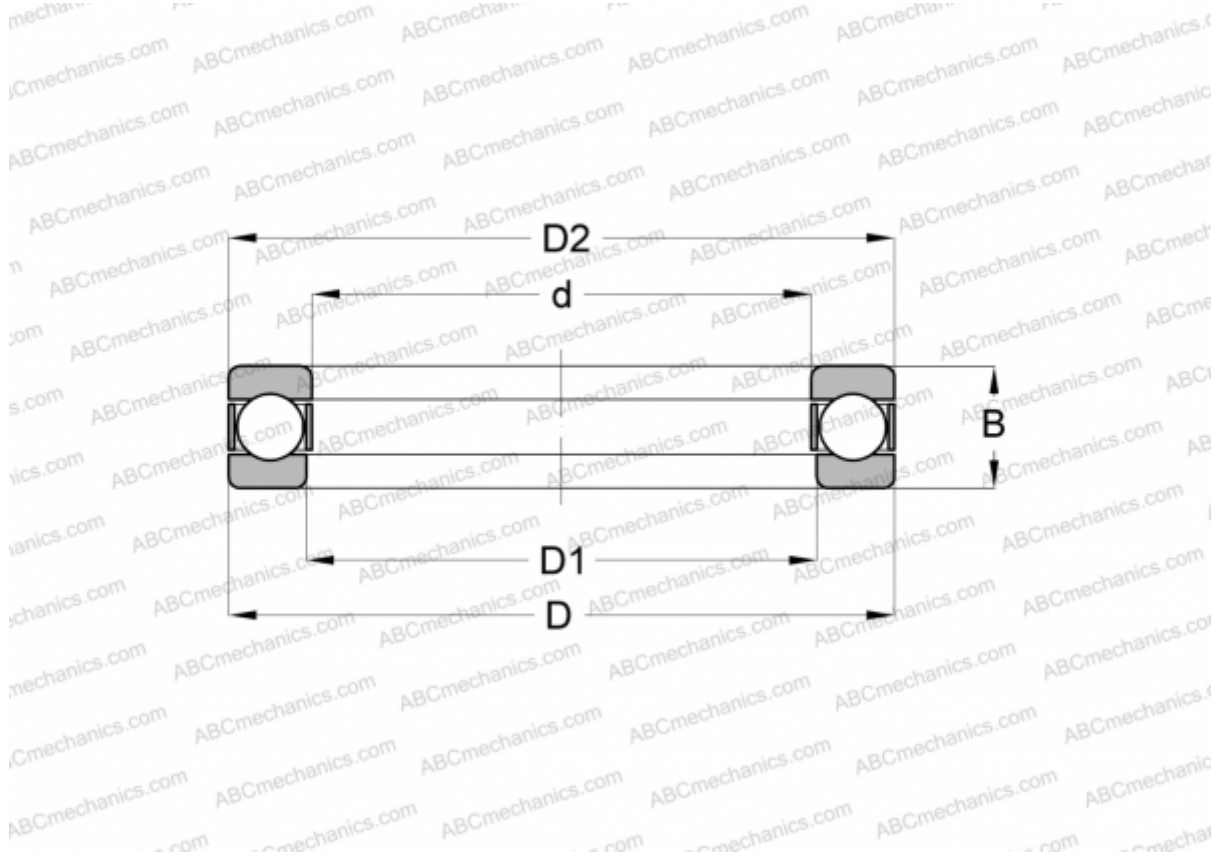


W-1 INA

Thrust ball bearings

TYPE: Ball bearings, Thrust ball bearing, Single direction, Separable, inch size



Technical specification

DIMENSIONS, MM

d	25,400
D	45,243
D1	26,193
D2	44,450
B	15,875

WEIGHT, KG 0,113

MANUFACTURER [INA](#)

INTERCHANGE

ABC	W-1
FAFNIR	4308
FBC	W-1
MRC	5-B
RHP	LT-1 B

INTERCHANGE

SKF	0-8
-----	---------------------