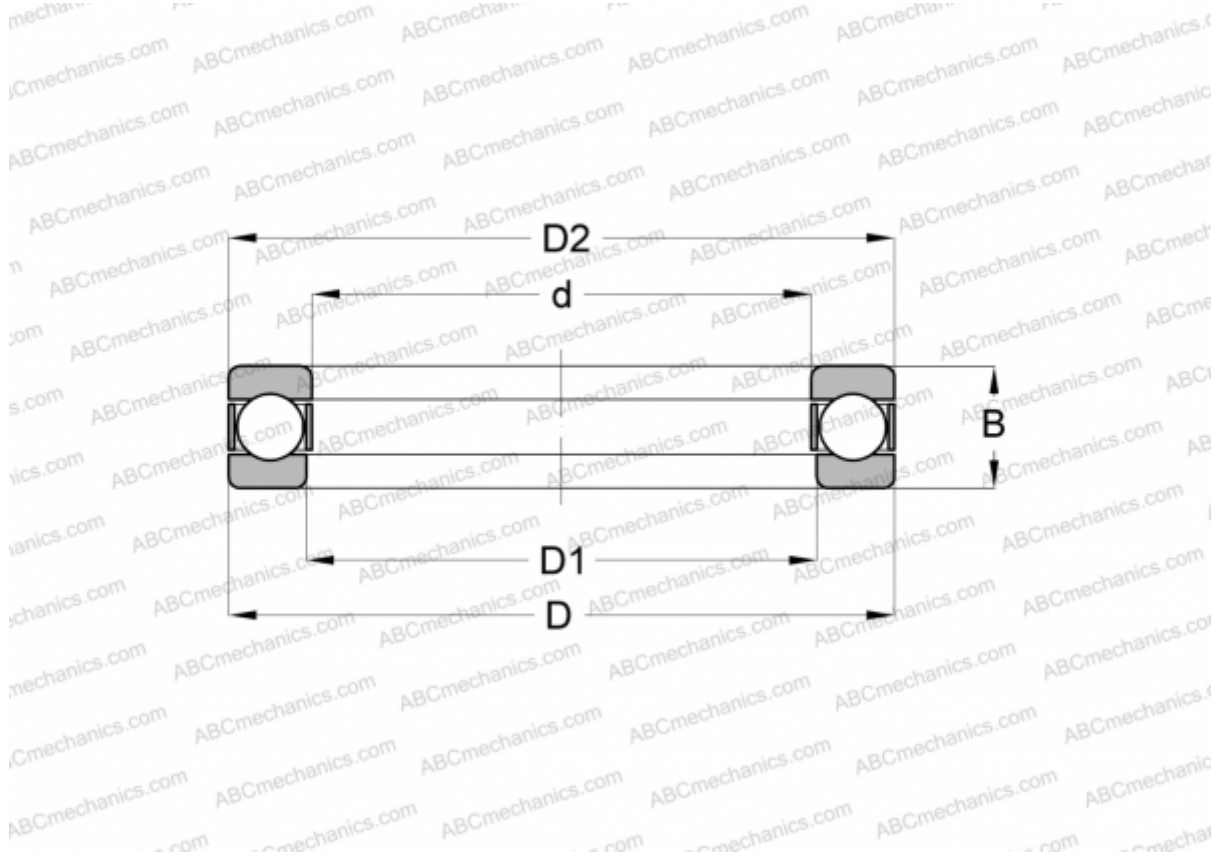


W-1 1/8 INA

Thrust ball bearings

TYPE: Ball bearings, Thrust ball bearing, Single direction, Separable, inch size



Technical specification

DIMENSIONS, MM

d	28,575
D	48,418
D1	29,368
D2	47,625
B	15,875

WEIGHT, KG 0,122

MANUFACTURER [INA](#)

INTERCHANGE

ABC	W-1 1/8
FAFNIR	4309
FBC	W-1 1/8
MRC	6-B
RHP	LT-1 1/8 B

INTERCHANGE

SKF	0-9
-----	---------------------