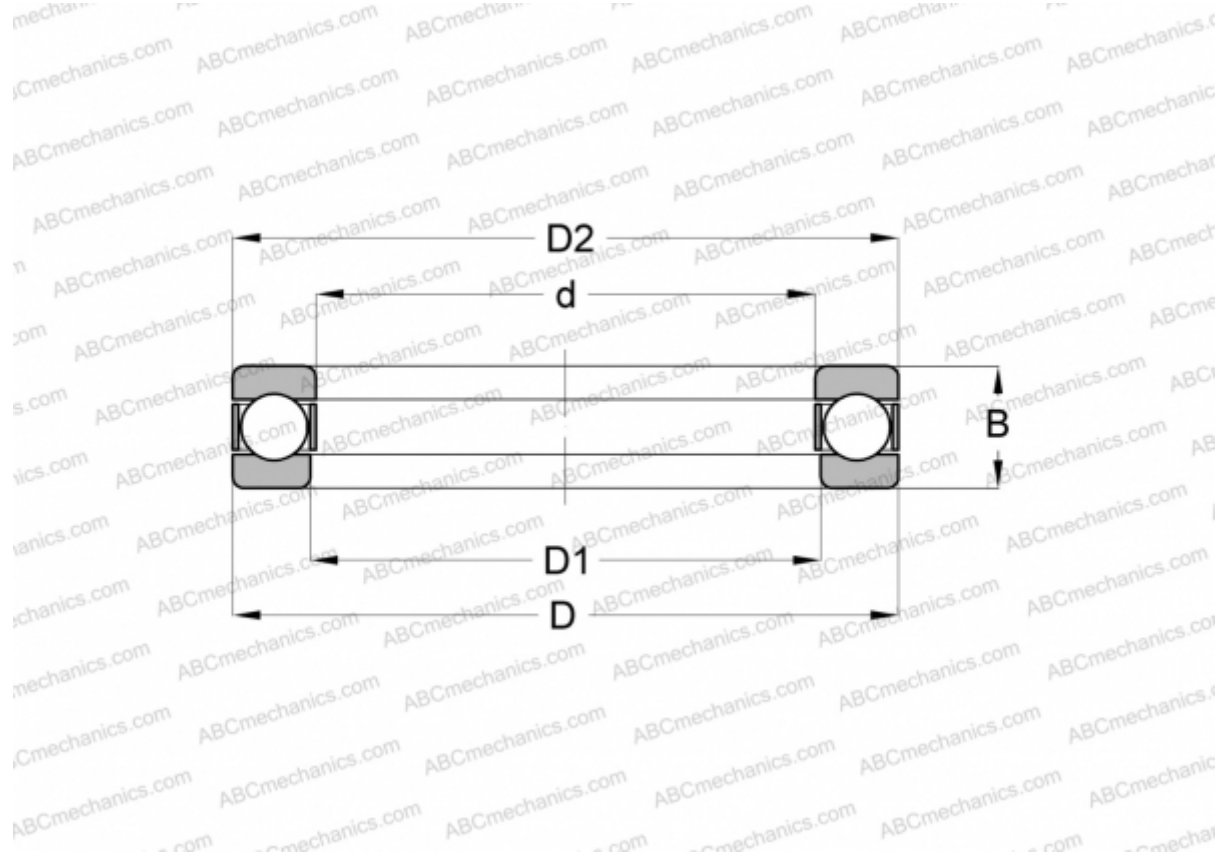


4311 FAFNIR

Thrust ball bearings

TYPE: Ball bearings, Thrust ball bearing, Single direction, Separable, inch size



Technical specification

DIMENSIONS, MM

d	34,925
D	56,355
D1	35,718
D2	55,563
B	18,255

WEIGHT, KG 0,181

MANUFACTURER [FAFNIR](#)

INTERCHANGE

ABC	W-1 3/8
INA	W-1 3/8
FBC	W-1 3/8
MRC	8-B
RHP	LT-1 3/8 B

INTERCHANGE

SKF	0-11
-----	----------------------